



12 x 10 BROOKDALE GAZEBO WITH ELECTRIC

Model # 1806528 | Owner's Manual & Assembly Instructions

MANUFACTURED BY:
Backyard Discovery
3305 Airport Drive
Pittsburg, KS 66762
800-856-4445



**INSTALLATION
SERVICES
AVAILABLE!***

Need a helping hand?
Let our team of professionals handle the installation for you!

GOCONFIGURE
888-888-5424

*Installation services are only available to U.S. customers.

average 2 person assembly time



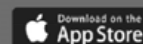
assembly time may vary based on skill level

Before you begin

**FOR QUICK &
EASY ASSEMBLY**
FIND 3D INSTRUCTIONS
FOR THIS PRODUCT IN

BILT.

DOWNLOAD THE FREE APP



For the most up to date assembly manual,
to register your set, or to order replacement parts please visit
www.backyarddiscovery.com

**SAVE THIS ASSEMBLY MANUAL FOR FUTURE REFERENCE IN THE EVENT THAT
YOU NEED TO ORDER REPLACEMENT PARTS.**

Para obtener instrucciones en español, visite www.backyarddiscovery.com



GOCONFIGURE
Putting it all together for you

INSTALLATION SERVICES AVAILABLE!*

Need a helping hand?

Let our team of professionals handle the installation for you!

GOCONFIGURE
888-888-5424

**Installation services are only available
to U.S. customers.*

With Go Configure, we bring you 18 years of experience right to your doorstep. We service a wide array of indoor and outdoor recreation products that most consumers don't have the time or ability to deliver & install themselves.

We do the heavy lifting, so you don't have to!

-
- 18+ Years of Experience Servicing Big Box Retailers and Direct Consumers
 - Highly Skilled, Specialized, Courteous, Professional Service Technicians
 - Over 140,000 Installations Annually
 - White Glove Service

- Satisfaction Guarantee
 - Flexible Appointments, including weekends
 - Coverage across the nation
- Visit www.goconfigure.com for more info!**
-

**Installation services are only available to U.S. customers.*



The store where you made your purchase does not stock parts for this item. If you have assembly questions or you are missing or have damaged parts, please call

1-800-856-4445

you can also visit www.backyarddiscovery.com
or e-mail customerservice@backyarddiscovery.com

Please have the following information ready when you make your call:

- Model Number of the product located on the front of the assembly manual
 - The item description and number from the parts list from the manual that was included in your box
-
- Read entire assembly manual, paying special attention to the important tips and safety information.
 - To ensure there are no missing pieces do a complete inventory by first separating and identifying all parts.
 - Make sure to check packing material for small parts that may have fallen out during shipment.
 - Structures are not intended for public use. The Company does not warranty any of its residential structures subjected to commercial use.
 - This manual contains helpful information concerning assembly preparation, installation procedure and required maintenance.
 - Always keep safety in mind as your structure is being built.
 - Keep these instructions for future reference.



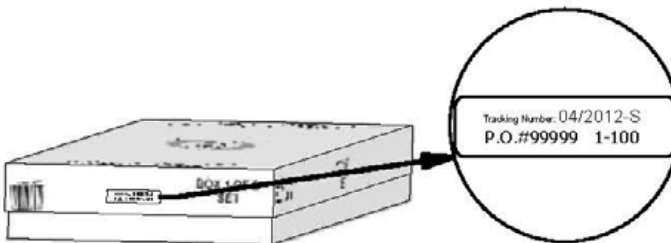
Please read entire booklet completely before beginning the assembly process

Please retain these instructions and your receipt for future reference. Keep them in a safe place where you can refer to them as needed. In order to provide you with the most efficient service, it is required that you provide us with the part numbers when ordering parts.

For Your Records:

Please take time and fill out the information below. This information will be needed for warranty issues.

Where Purchased: _____
 Date of Purchase: _____
 Installation Date: _____
 Installed by: _____
 Tracking Number: _____



Tracking Number Reference Label

Tracking ID number on the carton and on the bottom of the vertical ID plate are included for tracking purposes associated with warranty claims.

This Limited Warranty by Backyard Discovery applies to products manufactured under the Backyard Discovery brand or its other brands including but not limited to Backyard Botanical, Adventure Playsets, and Leisure Time Products.

Backyard Discovery warrants that this product is free from defect in materials and workmanship for a period of one (1) year from the original date of purchase. This one (1) year warranty covers all parts including wood, hardware, and accessories. All wood carries a five (5) year pro-rated warranty against rot and decay. Refer to the schedule below for charges associated with replacement of parts under this Limited Warranty. In addition, Backyard Discovery will replace any parts within the first 30 days from date of purchase found to be missing from or damaged in the original packaging.

This warranty applies to the original owner and registrant and is non-transferable. Regular maintenance is required to assure maximum life and performance of this product. Failure by the owner to maintain the product according to the maintenance requirements may void this warranty. Maintenance guidelines are provided in the Owner's Manual.

This Limited Warranty does not cover:

- Labor for any inspection
- Labor for replacement of any defective item(s)
- Incidental or consequential damages
- Cosmetic defects which do not affect performance or integrity of a part or the entire product
- Vandalism, improper use, failure due to loading or use beyond the capacities stated in the applicable Assembly Manual.
- Acts of nature including but not limited to wind, storms, hail, floods, excessive water exposure
- Improper installation including but not limited to installation on uneven, unlevel, or soft ground
- Minor twisting, warping, checking, or any other natural occurring properties of wood that do not affect performance or integrity

Backyard Discovery products have been designed for safety and quality. Any modifications made to the original product could damage the structural integrity of the unit leading to failure and possible injury. Modification voids any and all warranties and Backyard Discovery assumes no liability for any modified products or consequences resulting from failure of a modified product.

This product is warranted for RESIDENTIAL USE ONLY. Under no circumstance should a Backyard Discovery product be used in public settings. Such use may lead to product failure and potential injury. Any and all public use will void this warranty. Backyard Discovery disclaims all other representations and warranties of any kind, express or implied.

Pro Rated Part Replacement Schedule

<u>Product Age</u>	<u>Customer Pays</u>
All Parts	
0-30 days from date of purchase	\$0 and free shipping
31 days to 1 year	\$0 + S&H
Wood Rot and Decay Only	
1 year	\$0 and free shipping
2 year	20% + S&H
3 year	40% + S&H
4 year	60% + S&H
5 year	80% + S&H
Over 5 years	100% + S&H



WARNING

IT IS IMPORTANT TO CHECK AND TIGHTEN ALL HARDWARE AT THE BEGINNING AND DURING THE SEASON AS THEY MAY LOOSEN DUE TO WOOD EXPANSION AND CONTRACTION.

- **DO NOT climb or walk on the roof for any reason**
- **Requires two or more people to assemble safely**
- **Check for underground utilities before digging or driving stakes into the ground.**
- **Check carefully for overhead lines and ensure there is at least 6ft (2m) clearance from any overhead electrical wires.**
- **Permanent structures may require a building permit. As the purchaser and or installer of this product you are advised to consult local planning, zoning and building inspection departments for guidance on applicable building codes and/or zoning requirements.**
- Wood is NOT flame retardant and will burn. Grills, fire pits and chimineas are a fire hazard if place too close to your structure.
- Wear gloves to avoid injury during installation.
- During installation, follow all safety warnings provided with your tools and use safety glasses.
- Check all nuts and bolts twice monthly during the usage season and tighten as required.(But not so tight that you crack the wood) It is particularly important that this procedure be followed at the beginning of each season.
- Oil all metallic moving parts monthly during the usage period.
- Check all coverings for bolts and sharp edges twice monthly during usage season to be certain they are in place. Replace when necessary. It is especially important to do this at the beginning of each new season.
- For rusted areas on metallic members such as hinges, brackets, etc. sand and repaint, using a non lead-based paint meeting the requirements of Title 16 CRF Part 1303.
- Inspect wood parts monthly. The grain of the wood sometimes will lift in the dry season causing splinters to appear. Light sanding may be necessary to maintain a safe environment. Treating your Product with protection (sealant) after sanding will help prevent severe checking/splitting and other weather damage.
- We have applied a waterborne translucent stain to your unit. This is done for color only. Once or twice a year, depending on your climate conditions, you must apply some type of protection (sealant) to the wood of your unit. Prior to the application of sealant, lightly sand any "rough" spots on your set. Please note this is a requirement of your warranty.

OWNERS SHALL BE RESPONSIBLE FOR MAINTAINING THE LEGIBILITY OF THE WARNING LABELS



Your Backyard Discovery structure is designed and constructed of quality materials. As with all outdoor products it will weather and wear. To maximize the enjoyment, safety and life of your structure it is important that you properly maintain it.

About Our Wood

Backyard Discovery uses 100% Cedar (C. Lanceolata) wood. Although we take great care in selecting the best quality lumber available, wood is still a product of nature and susceptible to weathering which can change the appearance of your set.

What causes weathering? Does it affect the strength of my product?

One of the main reasons for weathering is the effects of water (moisture); the moisture content of the wood at the surface is different than the interior of the wood. As the climate changes, moisture moves in or out of the wood, causing tension which can result in checking and or warping. You can expect the following due to weathering. These changes will not affect the strength of the product:

1. Checking is surface cracks in the wood along the grain. A post (4" x 4") will experience more checking than a board (1" x 4") because the surface and interior moisture content will vary more widely than in thinner wood.

2. Warping results from any distortion (twisting, cupping) from the original plane of the board and often happens from rapid wetting and drying of the wood.

3. Fading happens as a natural change in the wood color as it is exposed to sun-light and will turn grey over time.

How can I reduce the amount of weathering to wood product?

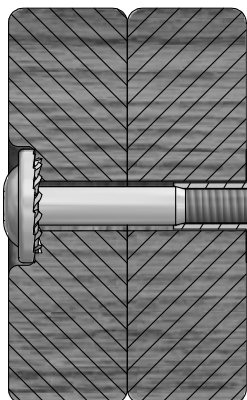
1. Your wood product is coated with a water-based stain. Sunlight will break down the coating, so we recommend applying a water repellent or stain on a yearly basis (see your local stain and paint supplier for a recommended product). You must apply some type of protection (sealant) to the wood of your product. **Please note this is a requirement of your warranty.** Most weathering is just the normal result of nature and will not affect safety. However if you are concerned that a part has experienced a severe weathering problem please call our customer service department for further assistance.

2. Inspect wood parts monthly. The grain of the wood sometimes will lift in the dry season causing splinters to appear. Light sanding may be necessary to maintain a safe environment. Treating your Product with protection (sealant) after sanding will help prevent severe checking/ splitting and other weather damage.



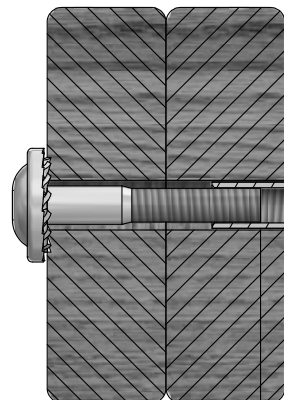
Protrusion Hazard

Incorrect



If you see exposed threads and your bolt protrudes beyond the T-Nut you may have overtightened the bolt or used incorrect hardware. If you've overtightened, remove the bolt and add washers to eliminate the protrusion.

Correct

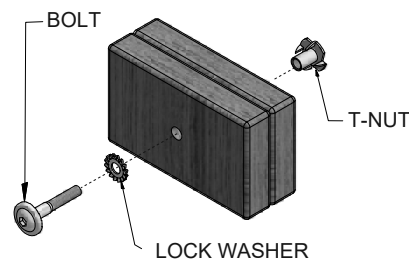


1/8"

Proper Hardware Assembly

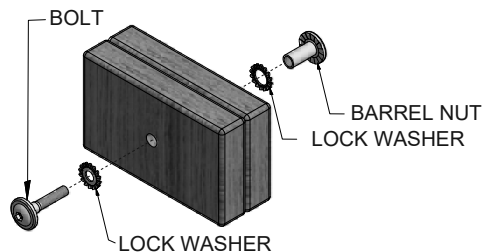
Bolt and T-Nut Assembly

Tap T-nut into the provided hole. Insert your bolt through the lock washer and insert into the provided hole opposite from the T-Nut. Turn clockwise to thread into T-nut. Do not completely tighten until instructed.



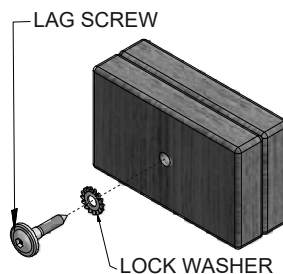
Bolt and Barrel Nut Assembly

Insert barrel nut through the lock washer and press the pair through the provided hole. Insert your bolt through the second lock washer and insert the pair into the provided hole opposite from the barrel nut. Turn clockwise to thread into the barrel nut. Do not completely tighten until instructed.



Lag Assembly

Normally there will be a pre-drilled pilot hole on assemblies that require a Lag Screw. If there is no pilot hole, line up the two boards as they are to be attached and use the factory drilled hole as a guide to drill another pilot hole into the adjoining board. This will keep the wood from splitting. Only a lock washer is required for steps with Lag Screws.





ASSEMBLY TIP:

Keep an eye out for these boxes which will contain helpful pictures and information making the assembly process as quick and painless as possible.

Sorting Wood



When removing the wood from the boxes we recommend arranging them by part number before you begin assembly. This will allow for faster assembly and easily identify any parts that may be missing or damaged.

Sorting Hardware

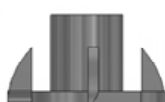
NUT BARREL
H100545



SCREW
H100695



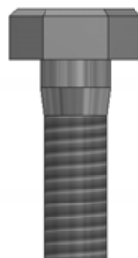
T-NUT
H100699



WASHER FLAT
H100706



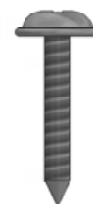
BOLT HEX
H100716



BOLT
H100718



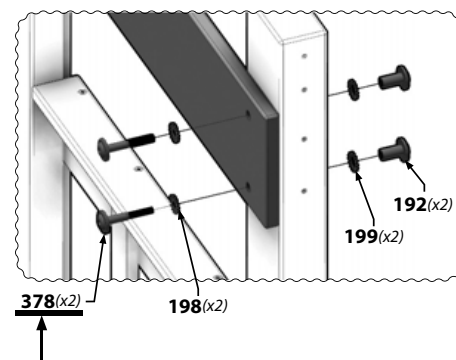
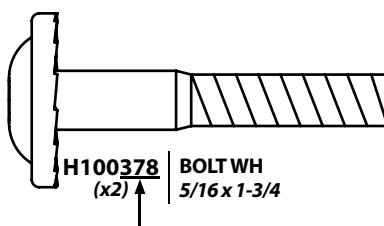
SCREW PWH
H100742

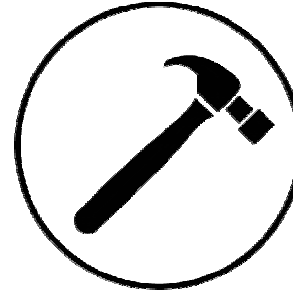
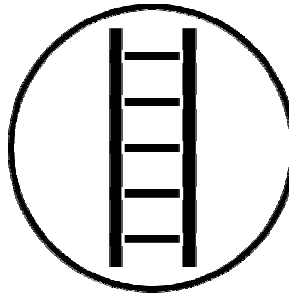
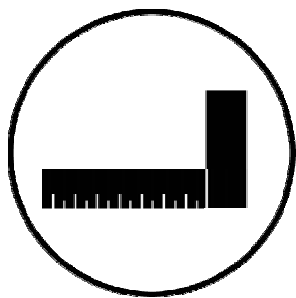
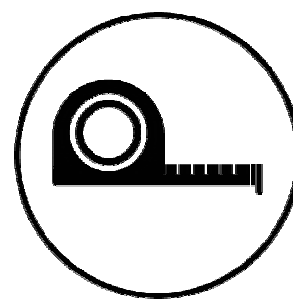
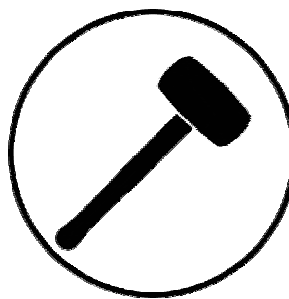
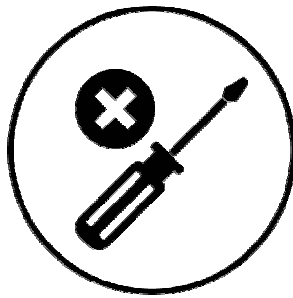
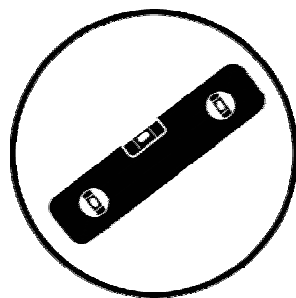


To help with assembly we recommend sorting your hardware bags with the seven digit alpha-numeric number printed on the bags or by hardware type (i.e. bolts, nuts, etc.). Organizing your hardware will make assembly easier.

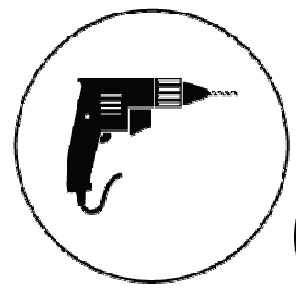
Hardware Identification

Hardware bags are printed with a seven digit alpha-numeric part number. During assembly you only need to reference the last three digits of the part number as noted in each step. This will make finding the correct hardware easier.

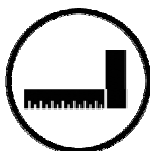




(2 NEEDED)



Icons and their uses you will see throughout this manual



You will need to make sure that your assembly is square before tightening your bolts.



For proper assembly you will need to ensure that your structure is level before proceeding to the next step.



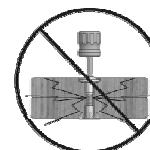
Some steps in the assembly process will require an extra set of hands. Make sure you have a helper available.



This icon shows the size of an open ended wrench. Using the wrench as the fraction bar.



When you see this icon you will need a socket wrench. The icons below show the size of attachments needed for assembly 1/2.



This icon warns you to not over tighten your bolts. This is to prevent structural damage and also splintering your wood.



This icon will show you what drill attachments are needed. For this example you will need a Phillips head attachment and 3/8 socket.



It is critically important that you start with square and level footings, concrete pad or deck to attach your structure

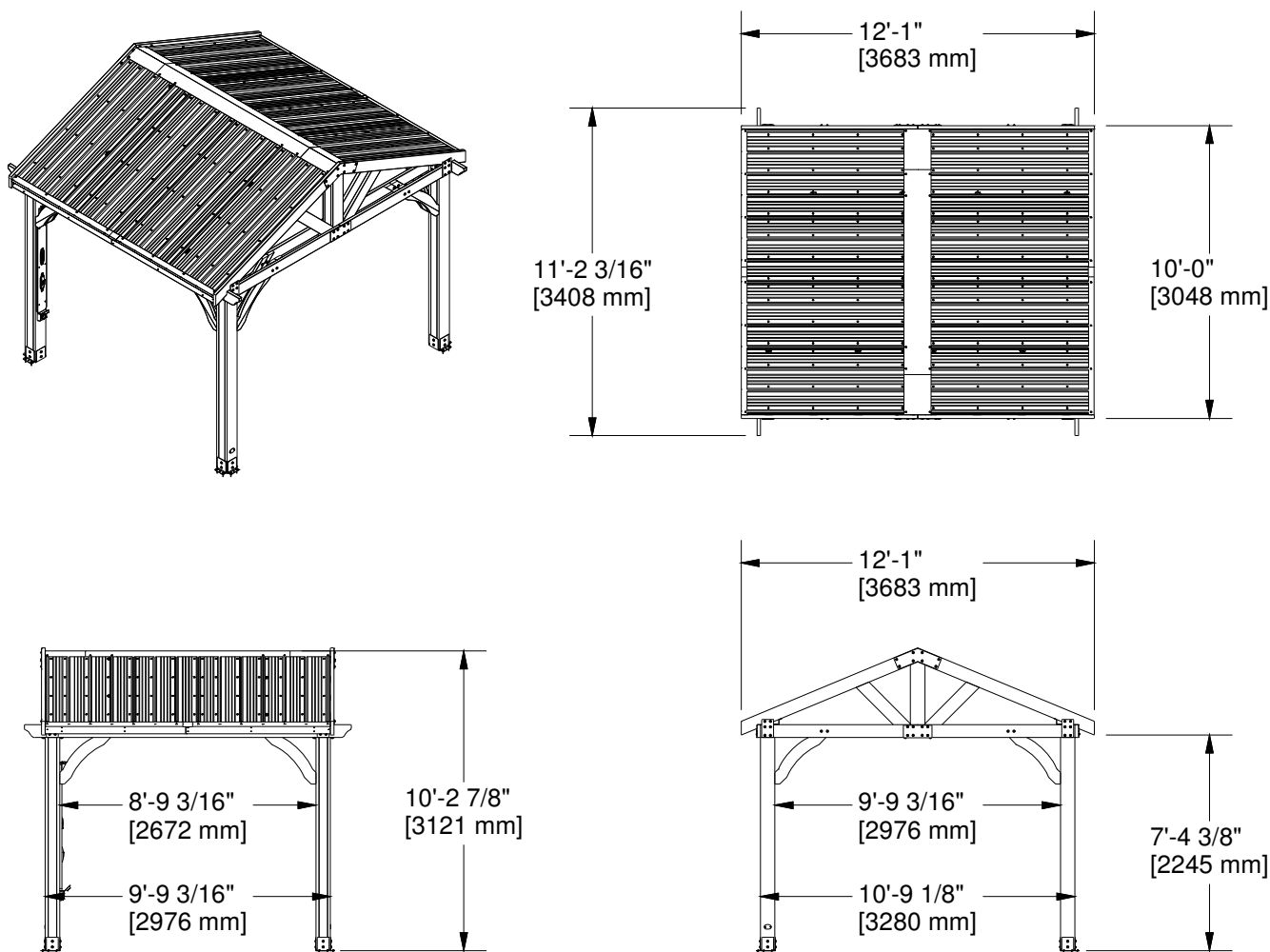
- Pay close attention to the items needed for each step. Make sure you are using the correct hardware for each step. Using incorrect hardware may result in improper assembly
- Remember to double check for underground utilities and overhead electrical lines

Post mounts are provided with your structure which allows you to permanently install your structure to a pre-existing or new wood or concrete surface.

- The hardware to attach the post mounts to the structure is included.
- The hardware to mount the structure permanently to a concrete surface is included.
- The hardware to mount the structure permanently to a wood deck is NOT included and will need to be purchased separately. **You must ensure there is ample structural support under the deck before permanently attaching.**

Metal Roof Assembly

Remove plastic covering from metal roof panels before installing each piece. Place roofing materials on a nonabrasive, flat surface before and after assembly as it could bend, dent or scratch

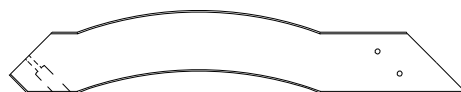




Wood Components (Not to Scale)



AB1 | ANGLE BRACE - W2A02608
(8) | 1 5/16"x6 7/16"x35 3/4" (34x163x908)



AB2 | ANGLE BRACE - W2A02609
(8) | 1 5/16"x6 7/16"x35 3/4" (34x163x908)



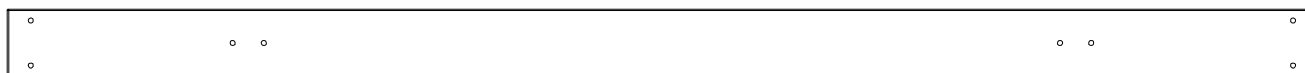
D1 | BEAM - W4L11744
(2) | 1 3/8"x5 1/4"x111 1/8" (36x134x2824)



D2 | BEAM - W4L11745
(8) | 1 3/8"x5 1/4"x64 5/8" (36x134x1640)



D3 | BEAM - W4L11737
(4) | 1 3/8"x5 1/4"x11 1/2" (36x134x292)



D4 | BEAM - W4L11740
(2) | 1 3/8"x5 1/4"x102 3/8" (36x134x2600)



D6 | ANGLE BRACE - W4L11736
(4) | 1 3/8"x5 1/4"x30 1/4" (36x134x769)



D7 | ANGLE BRACE - W4L11748
(4) | 1 3/8"x5 1/4"x32 3/8" (36x134x823)



E1 | OUTSIDE RAFTER - W4L11741
(4) | 1 3/8"x3 3/8"x77 3/8" (36x86x1965)



E2 | RAFTER - W4L11738
(6) | 1 3/8"x3 3/8"x77 3/8" (36x86x1965)



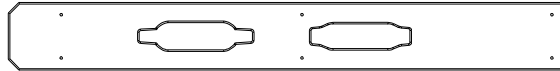
Wood Components (Not to Scale)



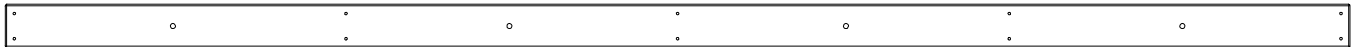
E3 | SHEATHING BOARD - W4L11739
(8) | 1 3/8"x3 3/8"x91 3/4" (36x86x2330)



E4 | SHEATHING BOARD - W4L11746
(8) | 1 3/8"x3 3/8"x27 1/4" (36x86x692)



G5 | CORD COVER - W4L11749
(1) | 1"x5 1/4"x43 5/8" (24x134x1109)



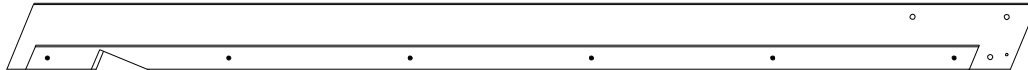
H1 | RAFTER - W4L11742
(2) | 1"x3 3/8"x105 1/8" (24x86x2670)



H2 | FASCIA - W4L11743
(4) | 1"x3 3/8"x59 3/8" (24x86x1507)



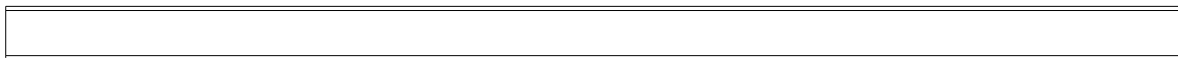
J8 | CORD COVER - W4L11750
(1) | 1"x2 3/8"x7 7/8" (24x60x201)



RP1 | END RAFTER - W2A02606
(2) | 2 7/8"x5 1/4"x80 5/8" (72x134x2048)



P1 | POST - W2A02607
(2) | 6"x6"x92" (152x152x2338)



P2 | POST - W2A02610
(2) | 6"x6"x92" (152x152x2338)



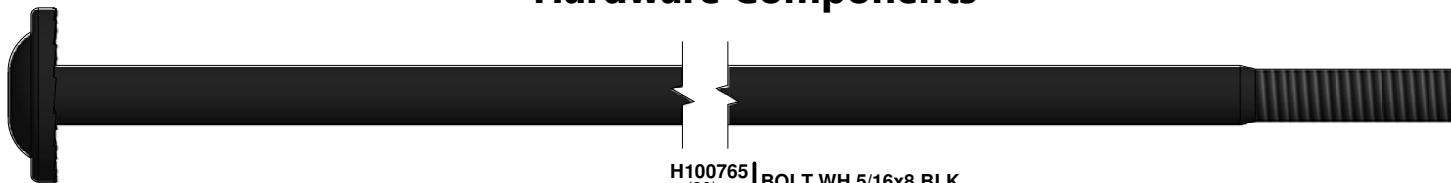
P3 | POST - W2A02611
(2) | 6"x6"x33 1/4" (152x152x845)



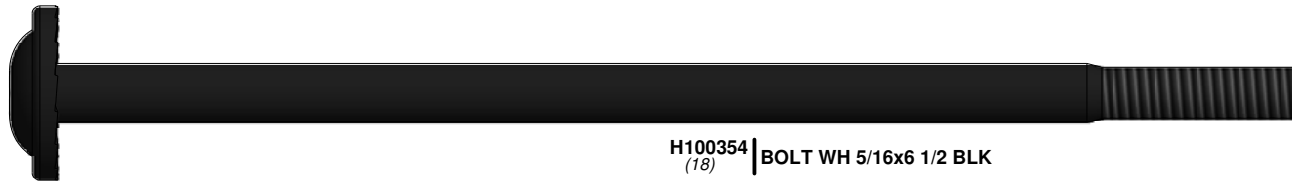
RP2 | END RAFTER - W2A02612
(2) | 2 7/8"x5 1/4"x80 5/8" (72x134x2048)



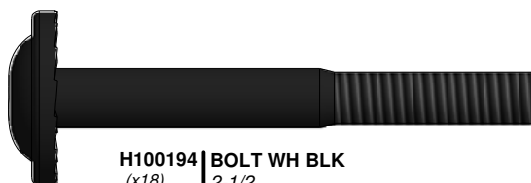
Hardware Components



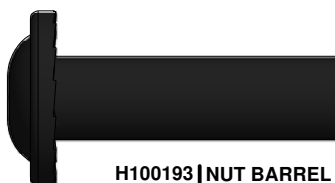
H100765 | BOLT WH 5/16x8 BLK
(30)



H100354 | BOLT WH 5/16x6 1/2 BLK
(18)



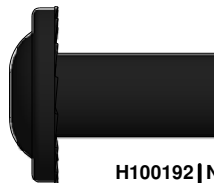
H100194 | BOLT WH BLK
(x18) | 2-1/2



H100193 | NUT BARREL WH BLK
(x46) | 5/16x1-1/2



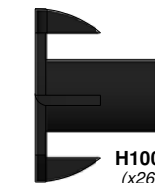
H100205 | BOLT WH BLK
(x42) | 5/16x2-1/4



H100192 | NUT BARREL WH BLK
(x70) | 5/16x7/8



H100407 | BOLT WH BLK
(x13) | 5/16x1 1/2



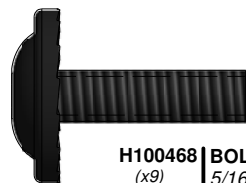
H100379 | T-NUT BLK
(x26) | 5/16



H100459 | BOLT WH BLK
(x18) | 5/16x1 1/4



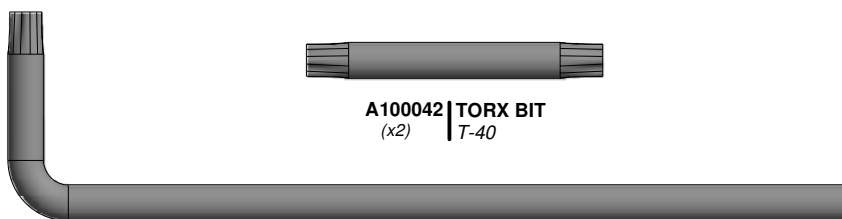
H100206 | LAG SCREW WH 5/16x3 BLK
(22)



H100468 | BOLT WH BLK
(x9) | 5/16x1



H100471 | LAG SCREW WH BLK
(x54) | 5/16x1 1/2



A100042 | TORX BIT
(x2) | T-40

A100041 | TORX WRENCH
(x2) | T-40



Hardware Components



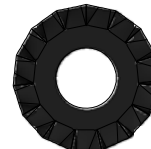
H100201 | SCREW PFH BLK
(x7) | 8x2-1/2



H100630 | WASHER FLAT BLK
(x17) | 8x19



H100391 | SCREW PFH BLK
(x86) | 8x2



H100198 | WASHER LOCK EXT BLK
(x92) | 8x19



H100200 | SCREW PFH BLK
(x33) | 8x1 1/2



H100199 | WASHER LOCK EXT BLK
(x92) | 12x19



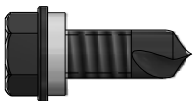
H100536 | SCREW PWH BLK
(x33) | 8x1 1/4



H100120 | CONCRETE ANCHOR 1/4"x2"
(18)



H100760 | #10-16 X 1 1/4" WOODGRIP SCREW
(140)



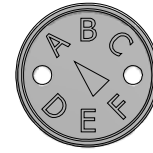
H100759 | 1/4-14 x 3/4" SELF DRILLING SCREW
(36)



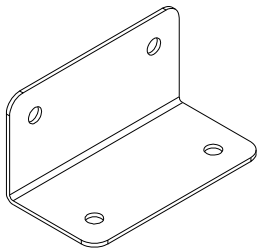
Accessory Components (Not to Scale)



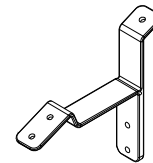
A100241 | BYD ID TAG (SMALL) WITHOUT AGES
(x1)



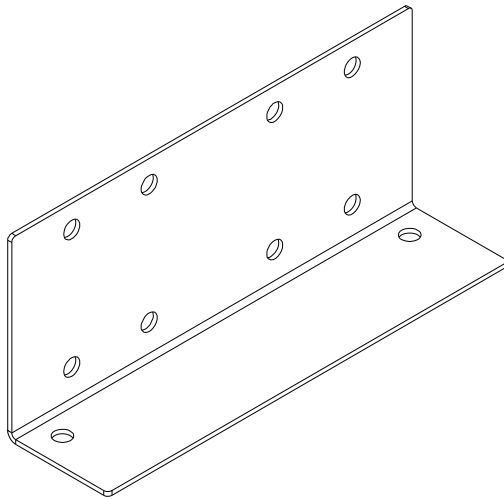
A100314 | "A" REVISION TAG
(x1)



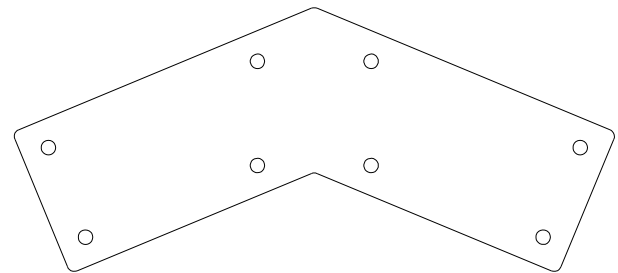
A4M00619 | L BRACKET 66x66x127 - BLK
(x4)



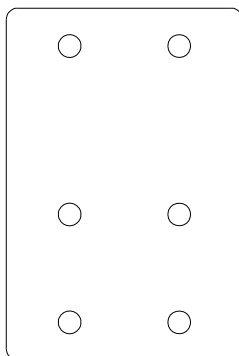
A4M00961 | ROOF BRACKET
(x6)



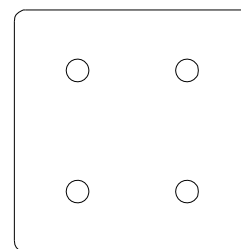
A4M00972 | BRACKET
(x4)



A4M00973 | BRACKET
(x2)



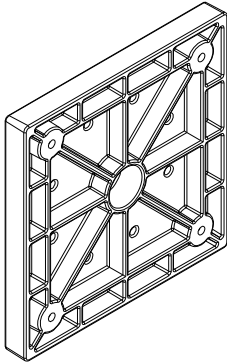
A4M00974 | BRACKET
(x4)



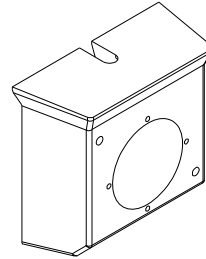
A4M00979 | BRACKET
(x4)



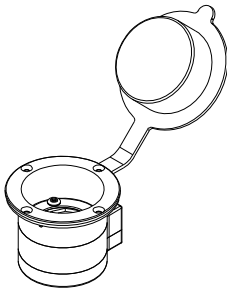
Accessory Components (Not to Scale)



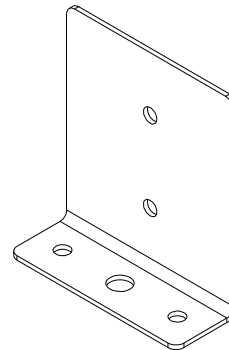
A6P00308 | 6x6 POST FOOT
(x4)



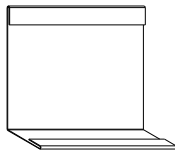
A6P00312 | PLASTIC BOX
(x1)



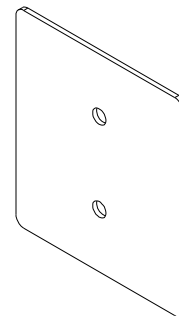
A6P00280 | PLASTIC OUTLET
(x1)



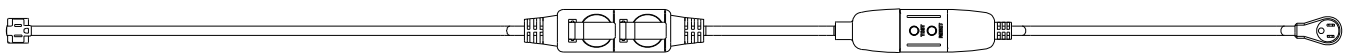
A4M00977 | POST ANCHORING PLATE
(x8)



A4M00983 | ROOF EDGE TRIM SPLICE
(x2)



A4M00978 | POST PLATE
(x8)



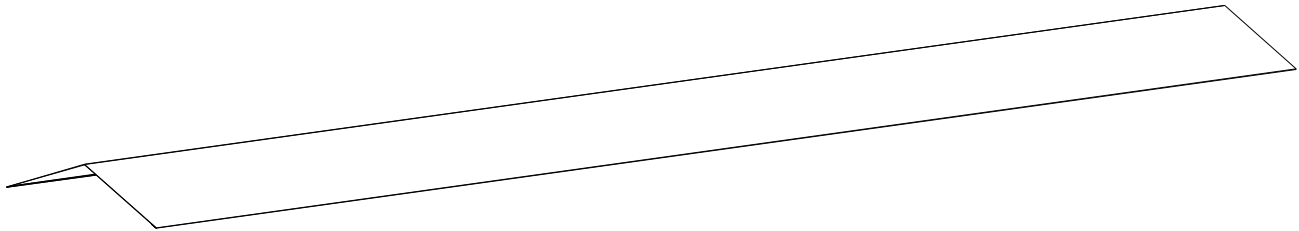
A6P00265 | ELECTRICAL OUTLET KIT - PATENT PENDING
(1)



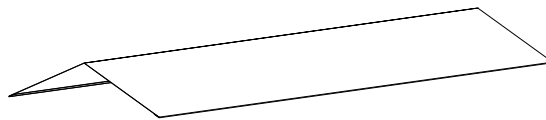
Accessory Components (Not to Scale)



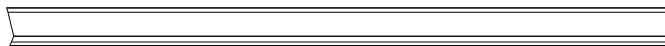
A4M00980 | 29 GA STEEL SHEETING
(x8)



A4M00976 | 6 X 6 HIP/RIDGE CAP 29 GA
(x1)



A4M00981 | 6 X 6 HIP/RIDGE CAP 29 GA
(x2)



A4M00982 | ROOF EDGE TRIM
(x4)

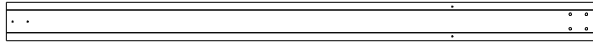


Phase 1

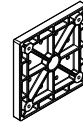
STEP 1



P1 | POST - W2A02607
(2) | 6"x6"x92" (152x152x2338)



P2 | POST - W2A020610
(2) | 6"x6"x92" (152x152x2338)



A6P00308 | 6x6 POST FOOT
(x4)



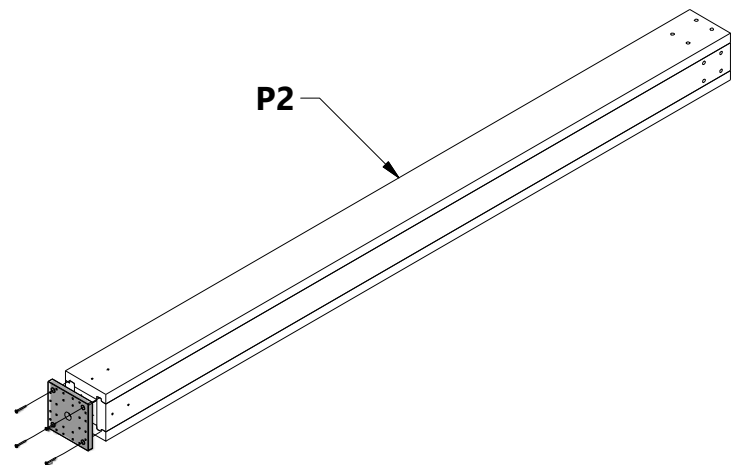
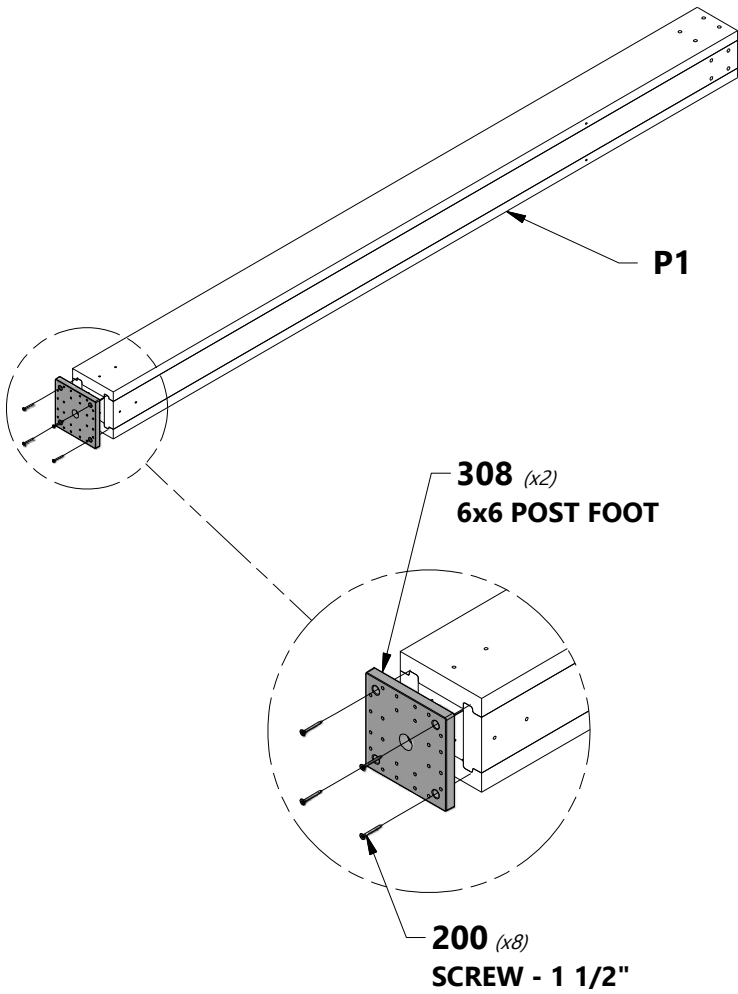
H100200 | SCREW PFH BLK
(x16) | 8x1 1/2

COMPLETE THIS STEP TWICE



ASSEMBLY TIP:

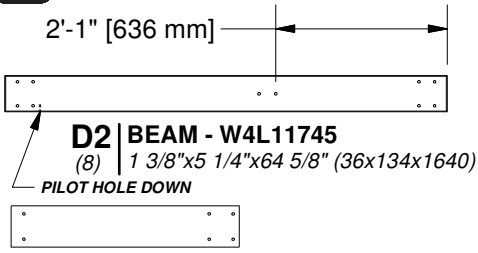
FOR EASE OF ASSEMBLY WE RECOMMEND USING SAW HORSES FOR STEPS 1 THROUGH 3.





Phase 1

STEP 2



P3 | POST - W2A02611
(2) | 6"x6"x33 1/4" (152x152x845)

A4M00619 | L BRACKET 66x66x127 - BLK
(x4)

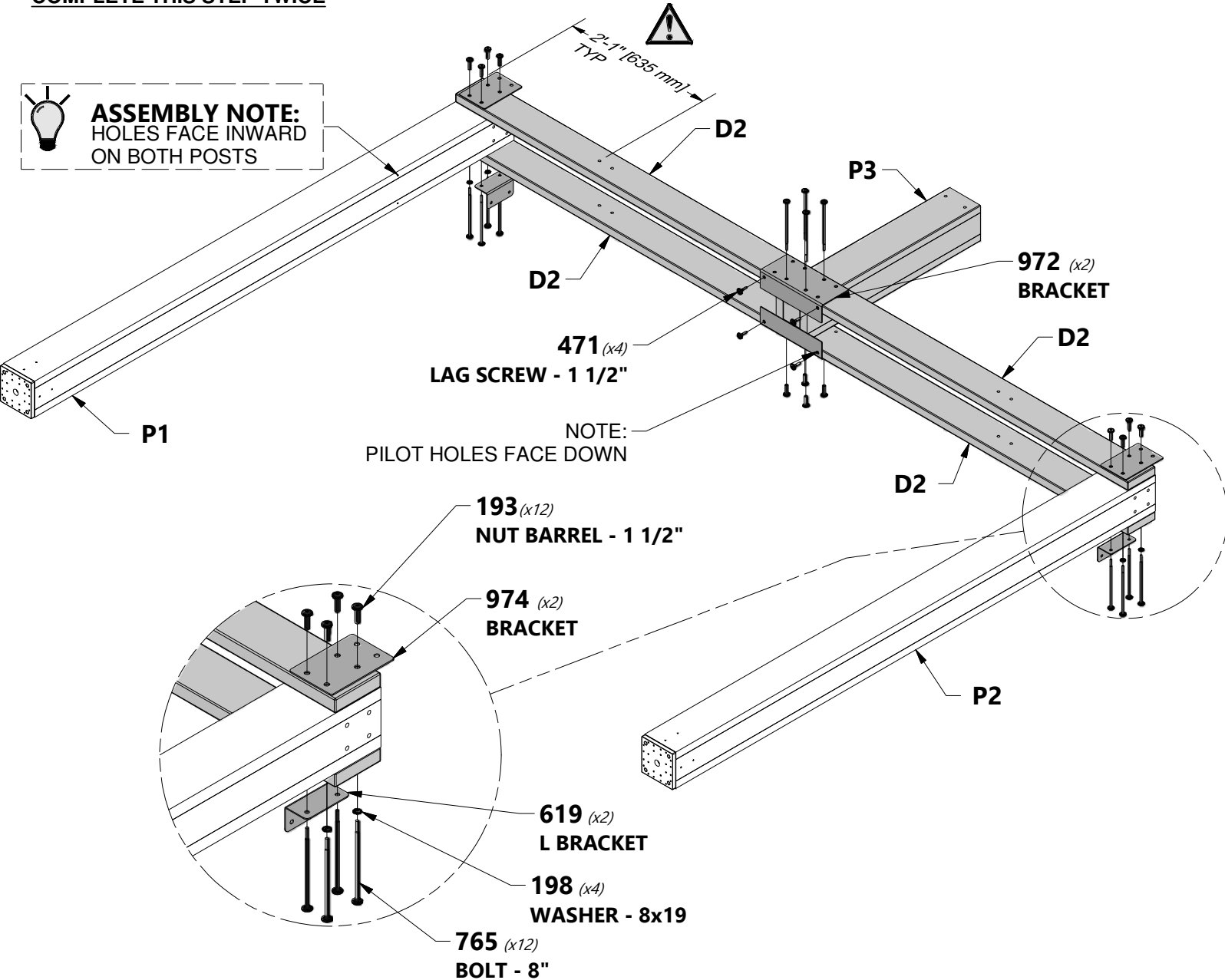
A4M00972 | BRACKET
(x4)

A4M00974 | BRACKET
(x4)



COMPLETE THIS STEP TWICE

ASSEMBLY NOTE:
HOLES FACE INWARD
ON BOTH POSTS





AB2 | ANGLE BRACE - W2A02609
(8) | 1 5/16"x6 7/16"x35 3/4" (34x163x908)



H100206 | LAG SCREW BLK
(8) | 5/16x3



H100205 | BOLT WH BLK
(16) | 5/16x2-1/4



H100192 | NUT BARREL WH BLK
(16) | 5/16x7/8

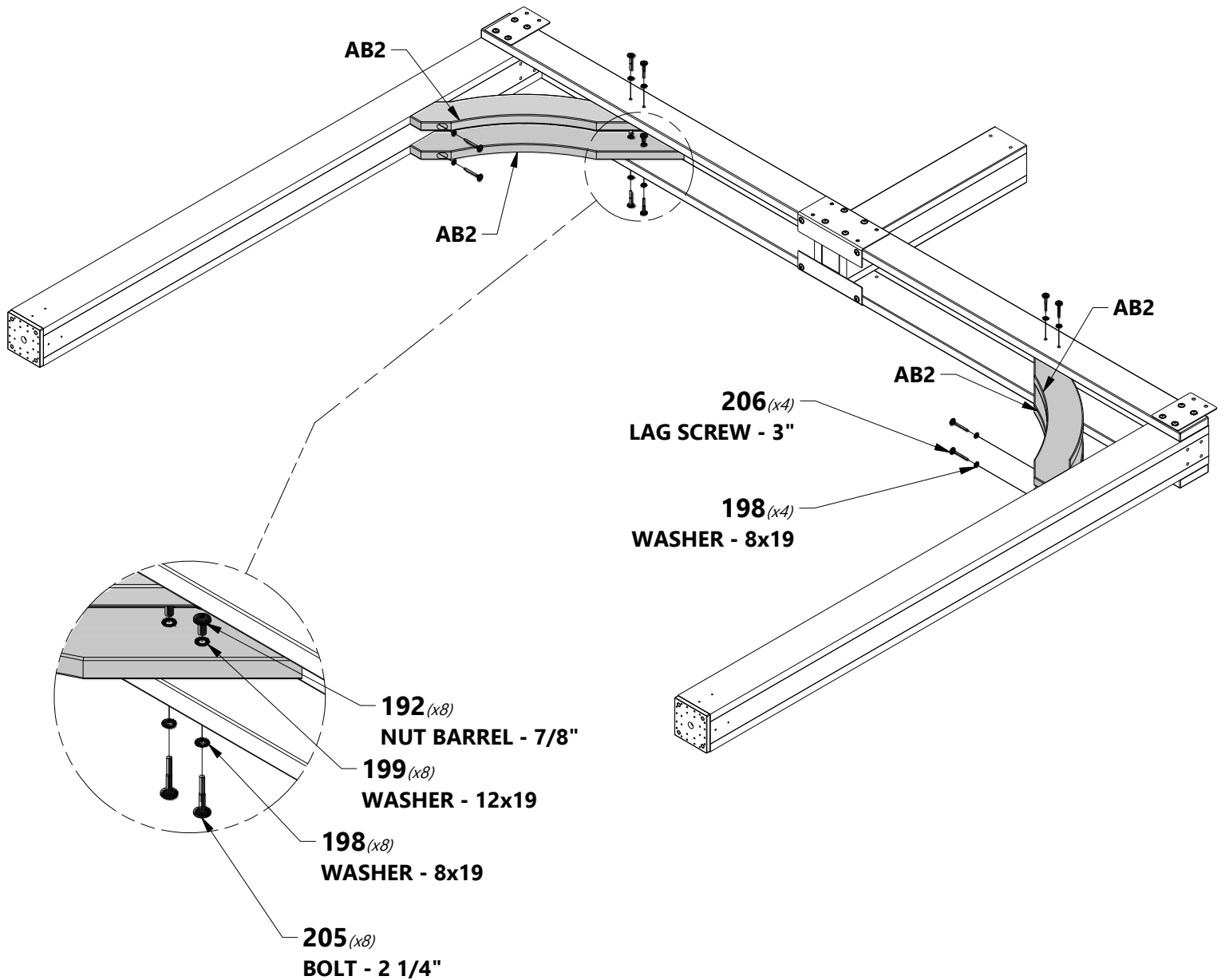


H100199 | WASHER LOCK EXT BLK
(16) | 12x19



H100198 | WASHER LOCK EXT BLK
(24) | 8x19

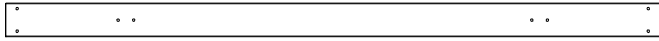
COMPLETE THIS STEP TWICE



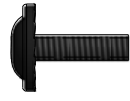


Phase 1

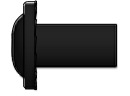
STEP 4



D4 | BEAM - W4L11740
(2) | 1 3/8"x5 1/4"x102 3/8" (36x134x2600)



H100468 | BOLT WH BLK
(x8) | 5/16x1

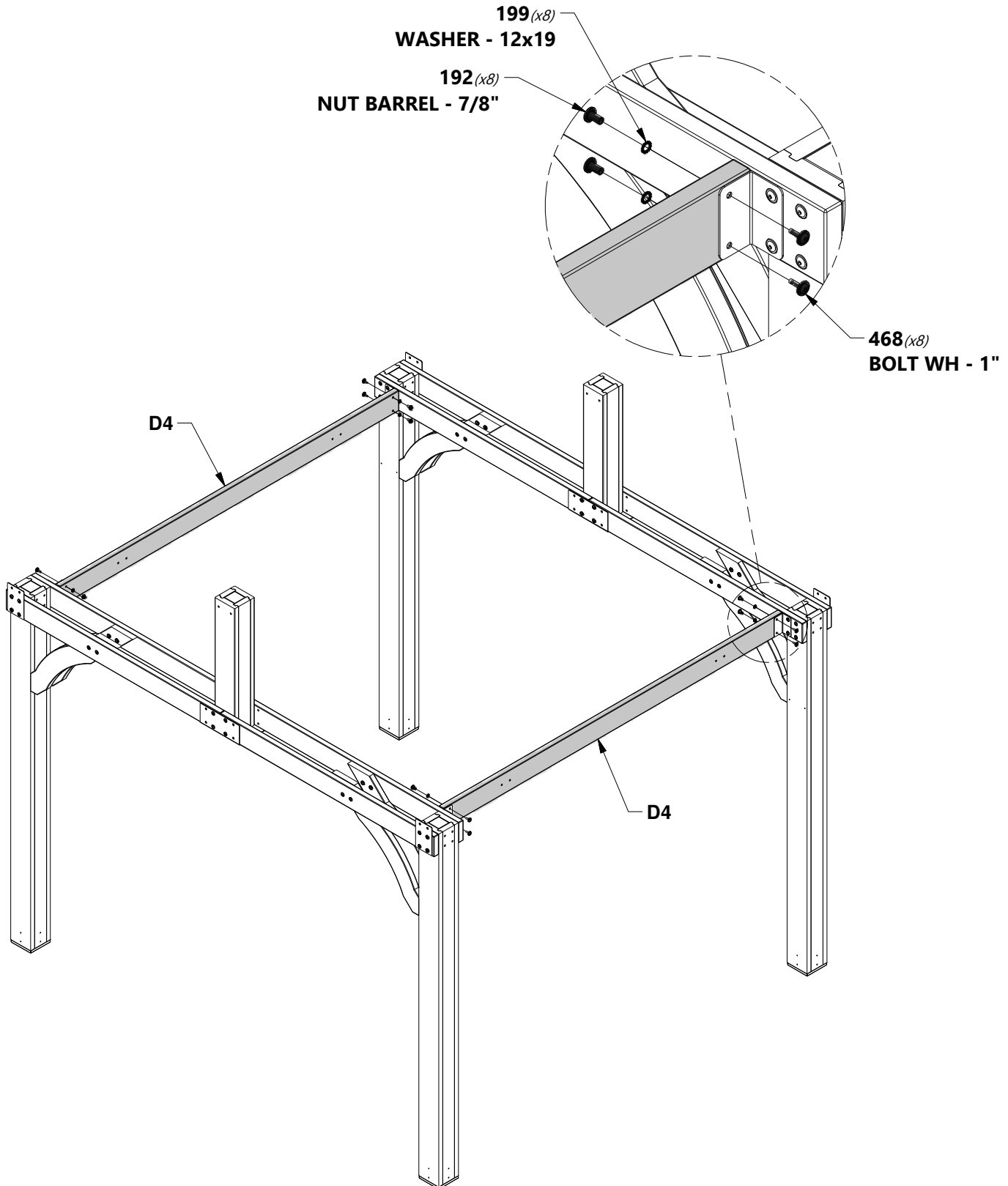


H100192 | NUT BARREL WH BLK
(x8) | 5/16x7/8



H100199 | WASHER LOCK EXT BLK
(x8) | 12x19

STEP 4





Phase 1

STEP 5



D1 | **BEAM - W4L11744**
(x2) | 1 3/8"x5 1/4"x11 1/8" (36x134x2824)



D3 | **BEAM - W4L11737**
(x4) | 1 3/8"x5 1/4"x11 1/2" (36x134x292)

A4M00979 | **BRACKET**
(x4)



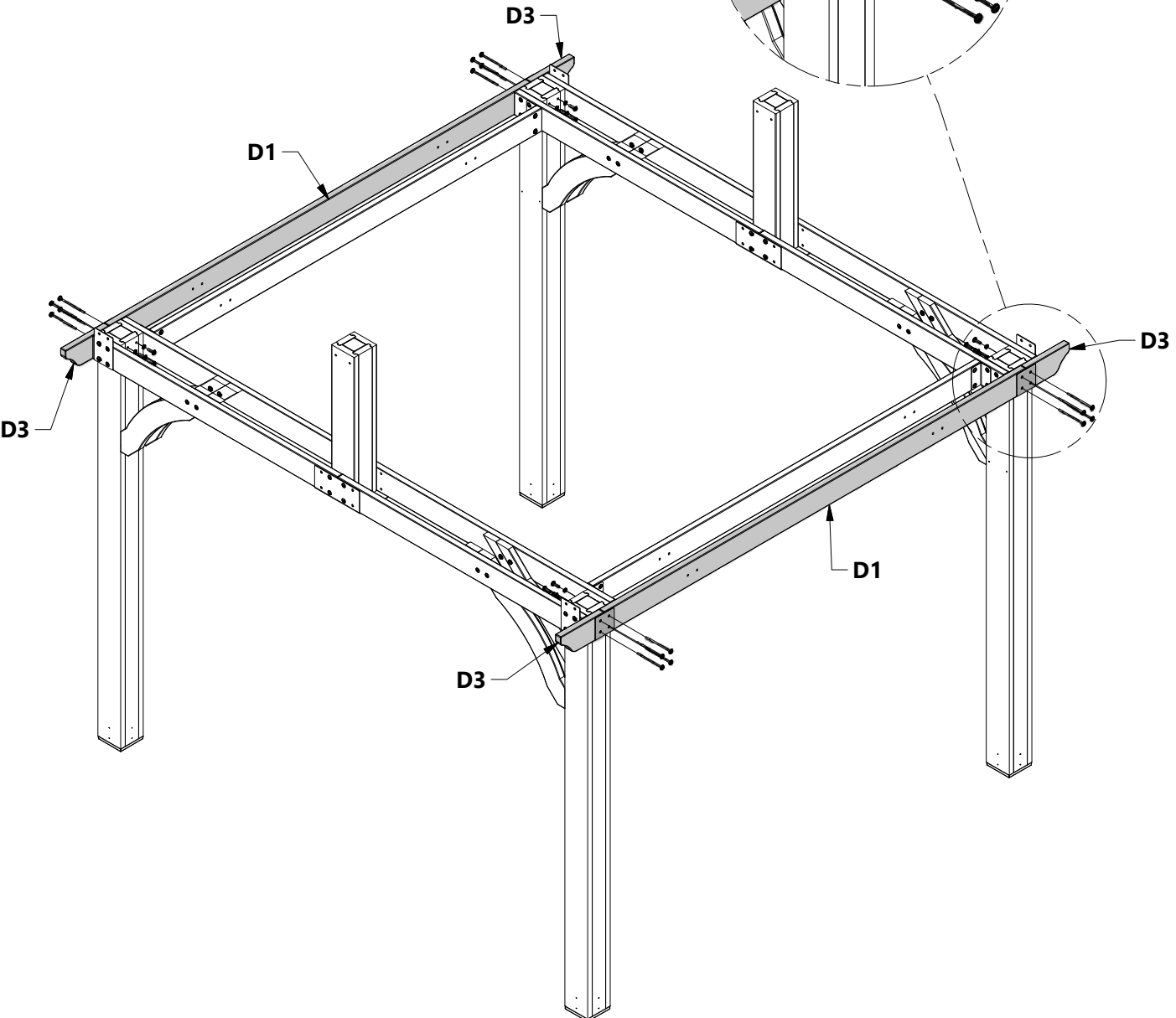
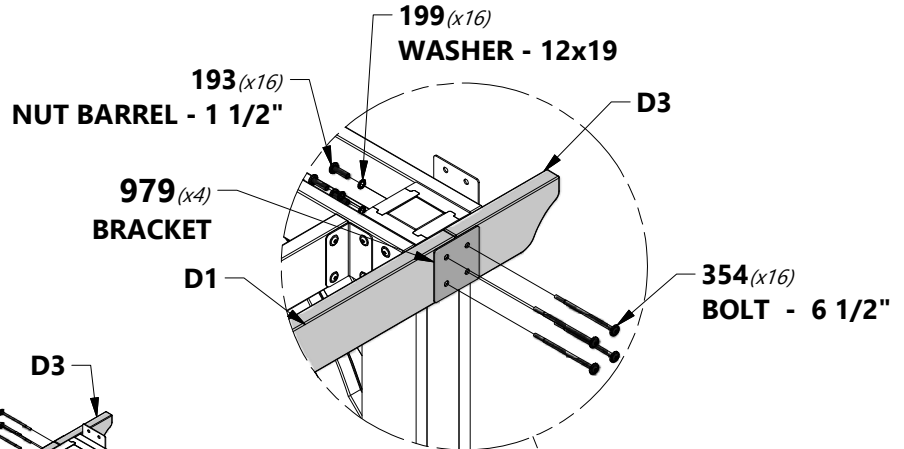
H100354 | **BOLT WH BLK**
(x16) | 5/16x6 1/2



H100193 | **NUT BARREL WH BLK**
(x16) | 5/16x1-1/2



H100199 | **WASHER LOCK EXT BLK**
(x16) | 12x19





Phase 1

STEP 6



H100205 | BOLT WH BLK
(x16) | 5/16x2-1/4



H100192 | NUT BARREL WH BLK
(x16) | 5/16x7/8



H100206 | LAG SCREW BLK
(8) | 5/16x3

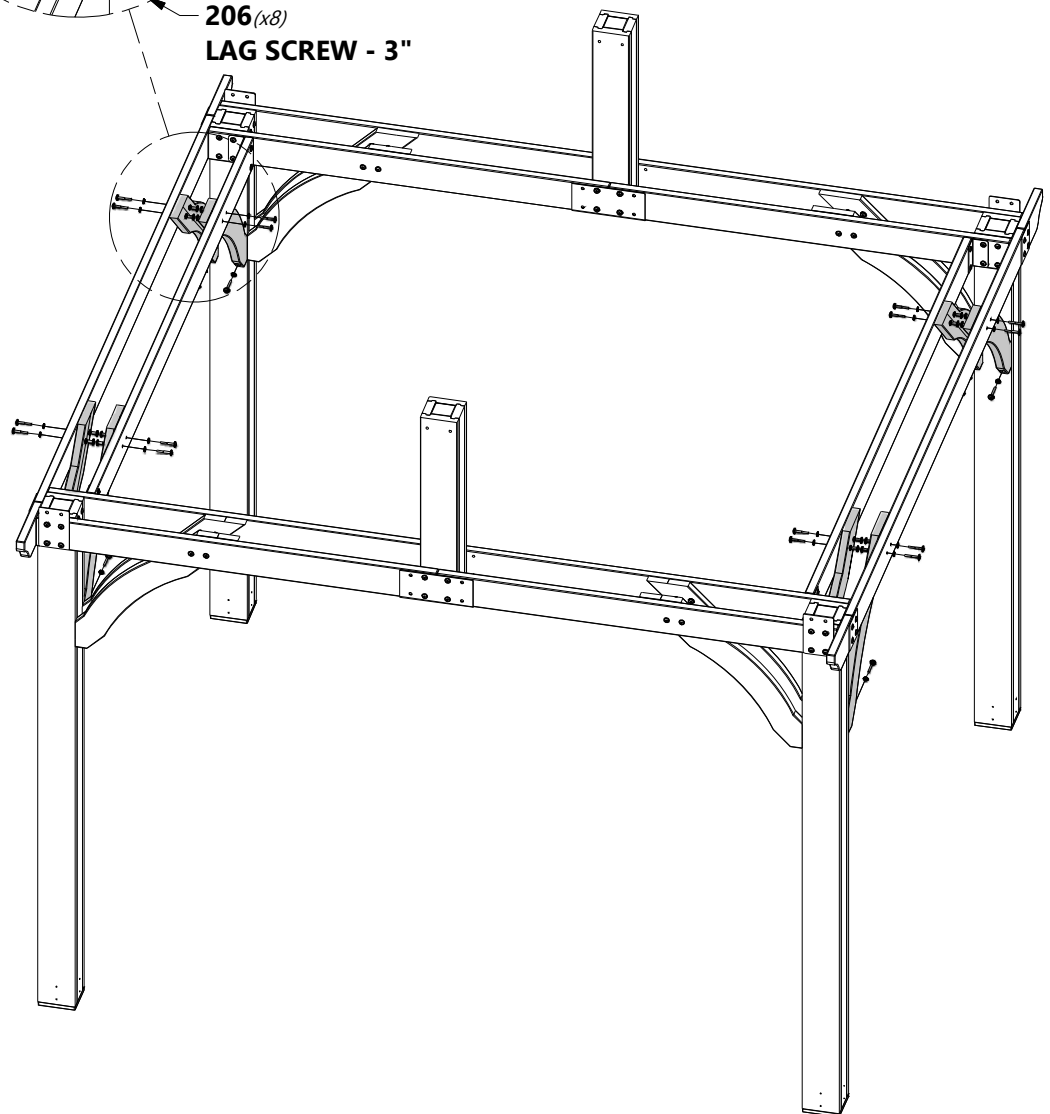
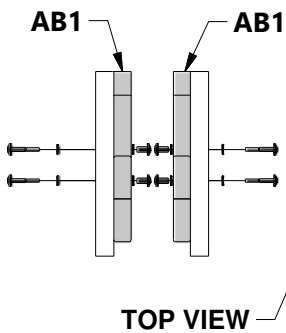
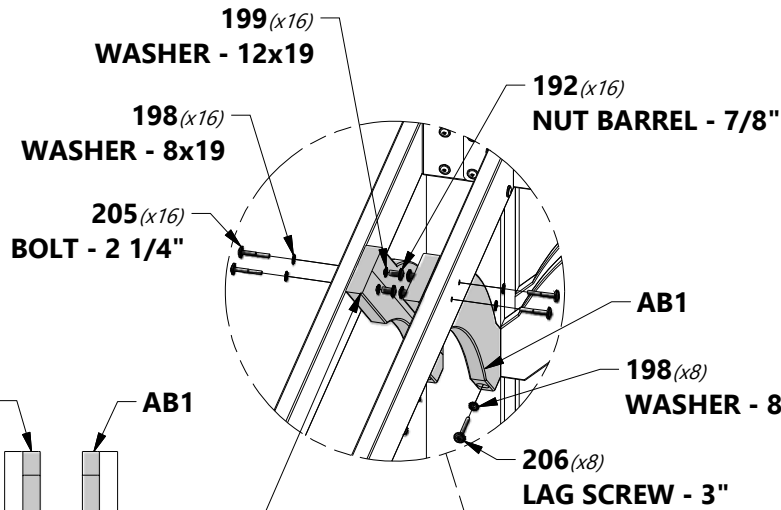


H100198 | WASHER LOCK EXT BLK
(x24) | 8x19



H100199 | WASHER LOCK EXT BLK
(x16) | 12x19

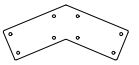
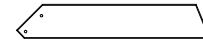
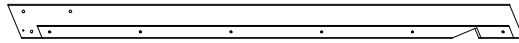
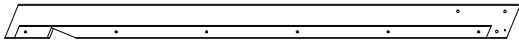
AB1 | ANGLE BRACE - W2A02608
(8) | 1 5/16"x6 7/16"x35 3/4" (34x163x908)





Phase 1

STEP 7



RP1 | END RAFTER - W2A02606
(2) 2 7/8"x5 1/4"x80 5/8" (72x134x2048)

RP2 | END RAFTER - W2A02612
(2) 2 7/8"x5 1/4"x80 5/8" (72x134x2048)

D6 | ANGLE BRACE - W4L11736
(4) 1 3/8"x5 1/4"x30 1/4" (36x134x769)

A4M00973 | BRACKET
(x2)



H100206 | LAG SCREW BLK
(4) 5/16x3



H100471 | LAG SCREW BLK
(12) 5/16x1 1/2



H100199 | WASHER LOCK EXT BLK
(8) 12x19



H100194 | BOLT WH BLK
(8) 5/16x2 1/2



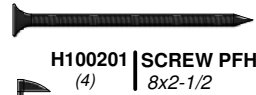
H100192 | NUT BARREL WH BLK
(8) 5/16x7/8



H100198 | WASHER LOCK EXT BLK
(4) 8x19



H100407 | BOLT WH BLK
(8) 5/16x1 1/2



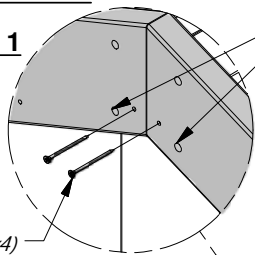
H100201 | SCREW PFH BLK
(4) 8x2-1/2



H100379 | T-NUT BLK
(8) 5/16

COMPLETE THIS STEP TWICE

DETAIL 1

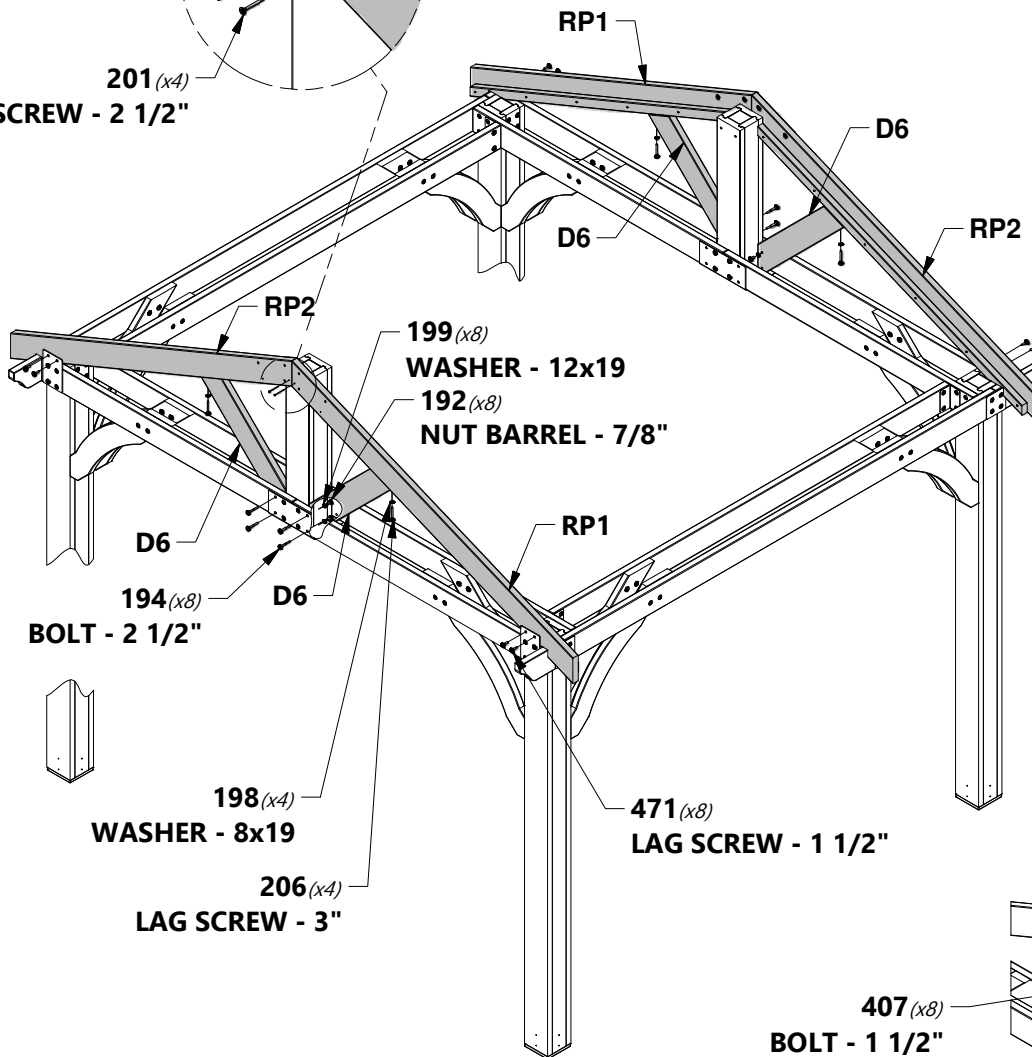


201 (x4)
SCREW - 2 1/2"

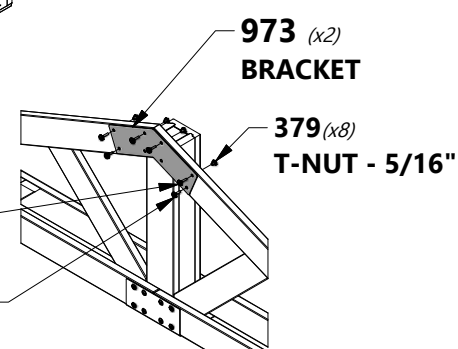


ASSEMBLY NOTE:

ENSURE THAT HOLES ARE ALIGNED WITH POST HOLES, BY TEMPORARILY INSTALLING LONG 5/16" BOLTS. BEFORE INSTALLING SCREWS.



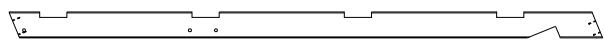
DETAIL 2



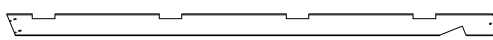


Phase 1

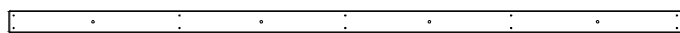
STEP 8



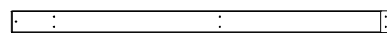
E1 | OUTSIDE RAFTER - W4L11741
(4) | 1 3/8"x3 3/8"x77 3/8" (36x86x1965)



E2 | RAFTER - W4L11738
(6) | 1 3/8"x3 3/8"x77 3/8" (36x86x1965)



H1 | RAFTER - W4L11742
(2) | 1"x3 3/8"x105 1/8" (24x86x2670)



H2 | FASCIA - W4L11743
(4) | 1"x3 3/8"x59 3/8" (24x86x1507)

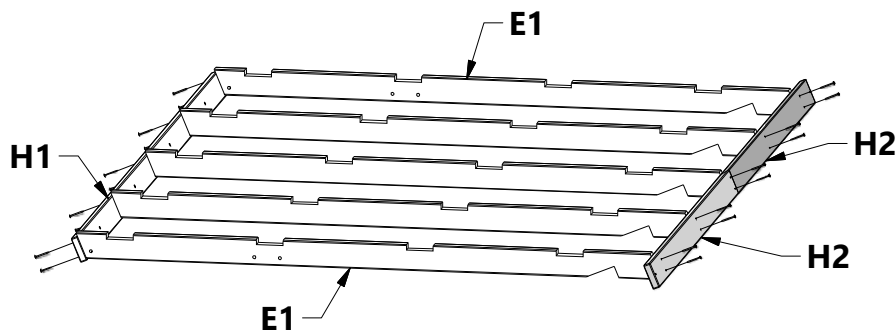
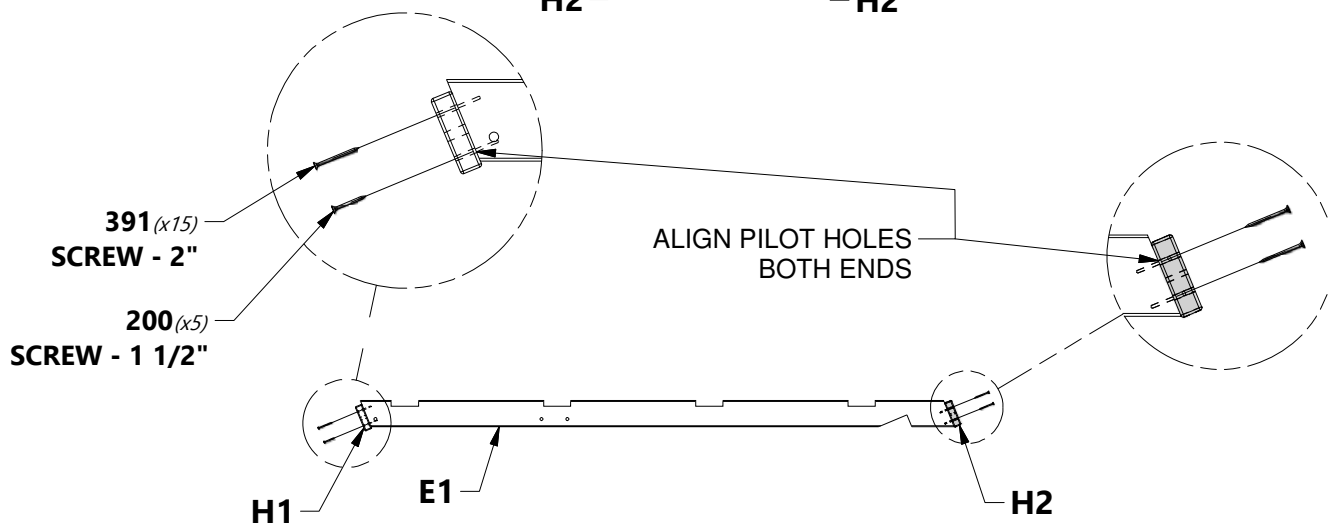
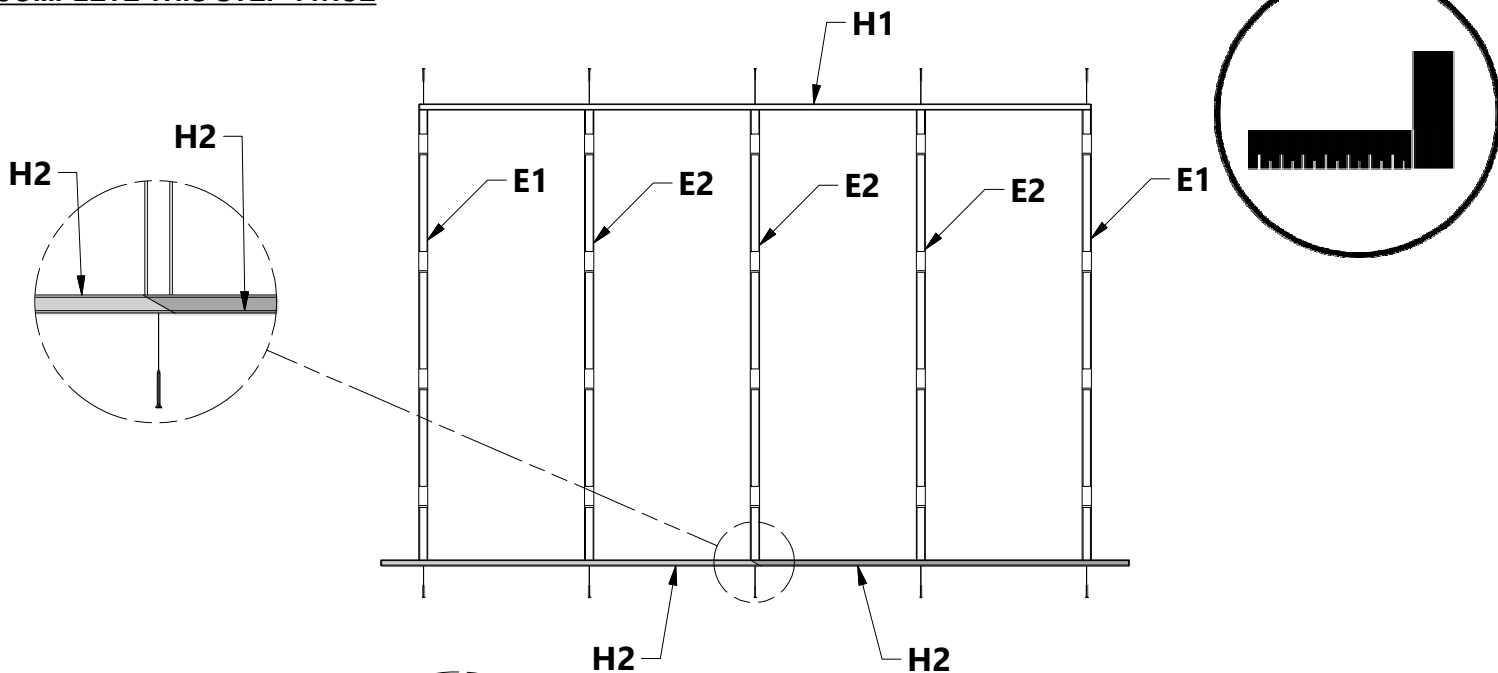


H100200 | SCREW PFH BLK
(10) | 8x1 1/2



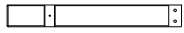
H100391 | SCREW PFH BLK
(30) | 8x2

COMPLETE THIS STEP TWICE

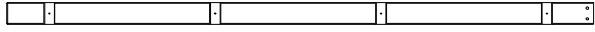




Phase 1



E4 SHEATHING BOARD - W4L11746
(8) 1 3/8"x3 3/8"x27 1/4" (36x86x692)



E3 SHEATHING BOARD - W4L11739
(8) 1 3/8"x3 3/8"x91 3/4" (36x86x2330)

STEP 9



H100198 WASHER LOCK EXT BLK
(16) 8x19



H100379 T-NUT BLK
(16) 5/16

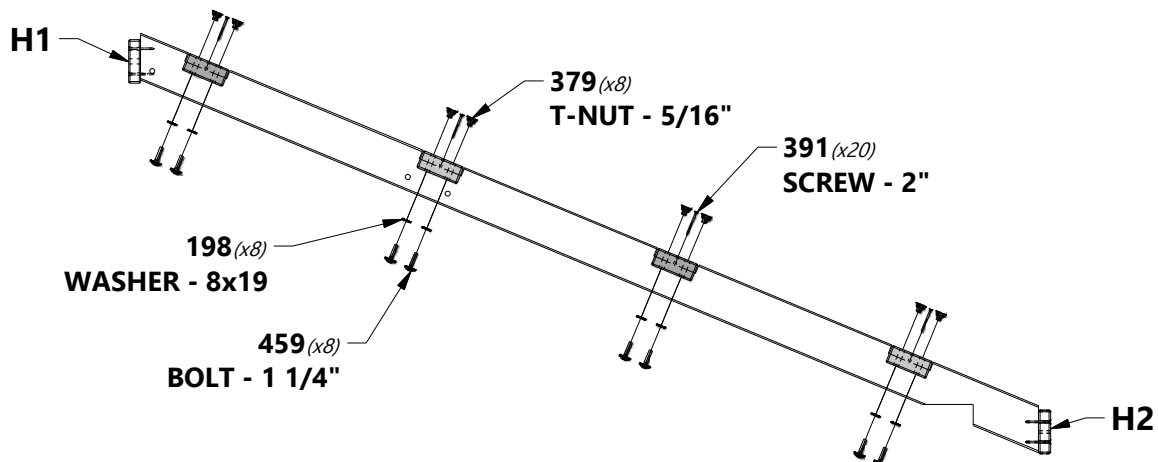
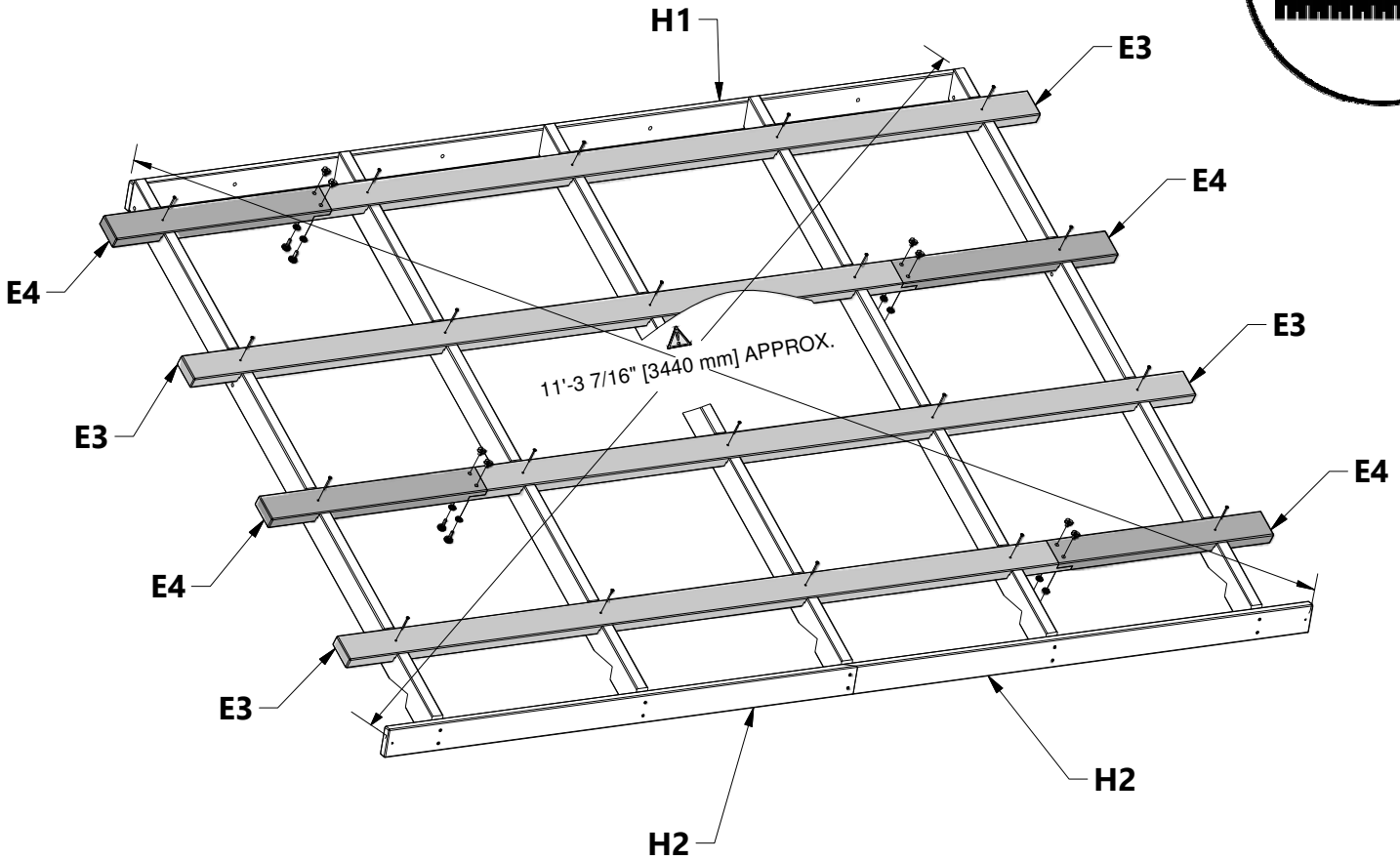
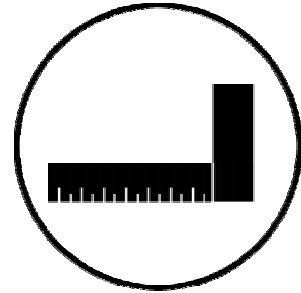


H100391 SCREW PFH BLK
(40) 8x2



H100459 BOLT WH BLK
(16) 5/16x1 1/4

COMPLETE THIS STEP TWICE





Phase 2

PREPARATION

NOTE:

USE THIS PAGE TO FAMILIARIZE YOURSELF WITH THE ROOF PANEL & ASSIST YOU IN THE COMING STEPS.

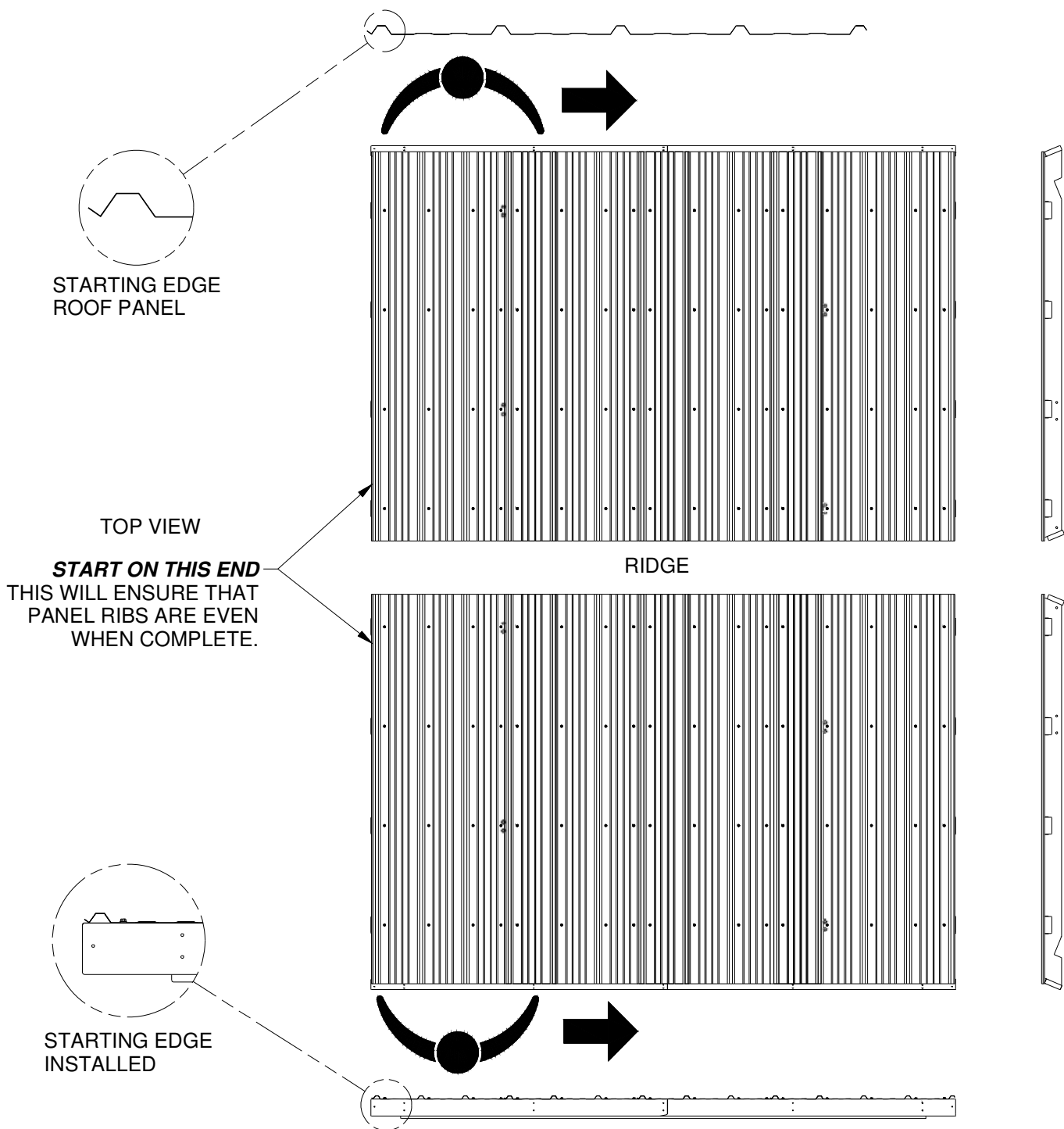


WARNING:

GLOVES SHOULD BE WORN WHEN HANDLING ROOF PANELS; EDGES ARE SHARP.

- Due to the roof panels mirroring each other you will start the first roof panel working from left to right and the second roof panel working from right to left as shown.

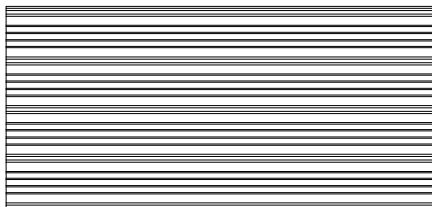
POSITION YOUR ROOF PANELS ON THE GROUND SO THEY MIRROR EACH OTHER AS SHOWN.
REMOVE PROTECTIVE BLUE FILM FROM PANELS.





Phase 2

STEP 1

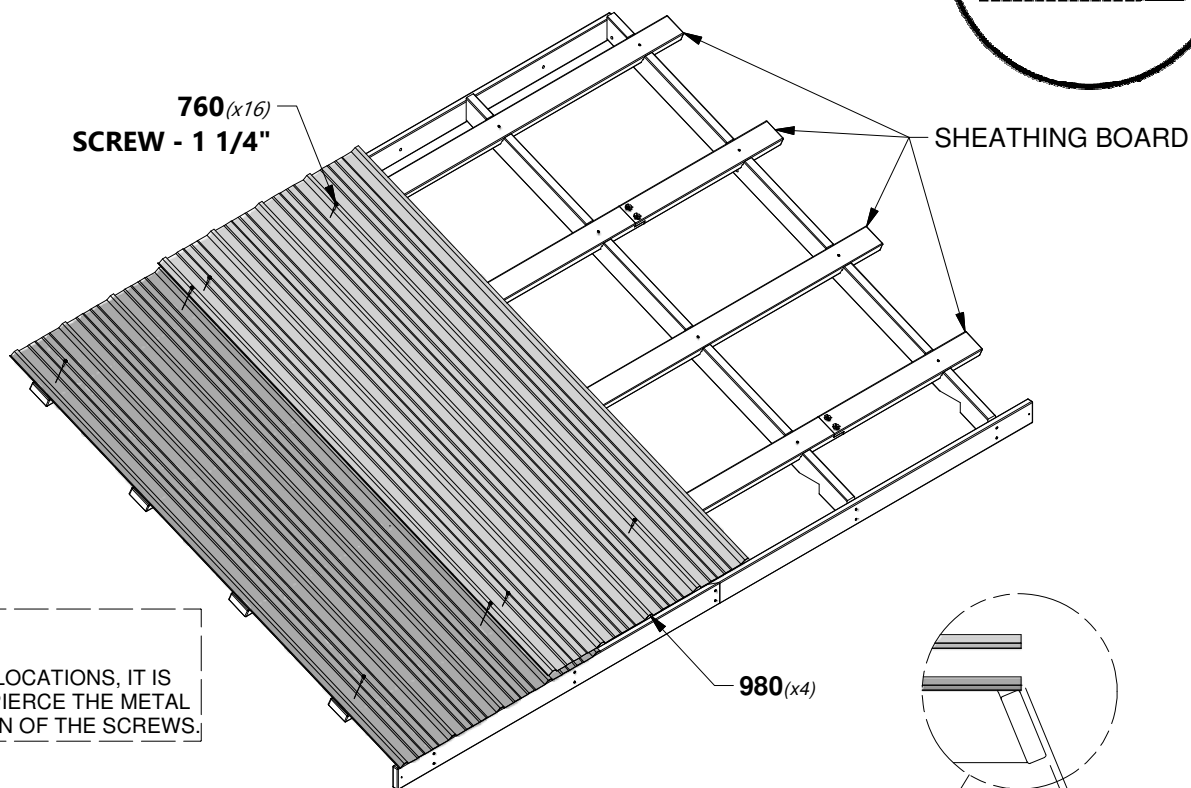
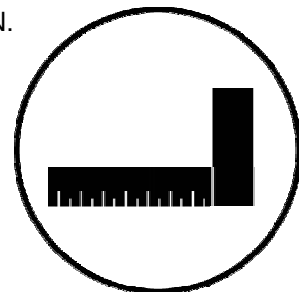


A4M00980 | 29 GA STEEL SHEETING
(x4)

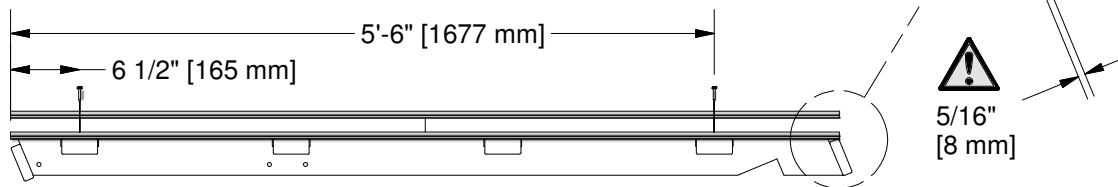


H100760 | WOOD GRIP SCREW
(16) | 10x1 1/4

SQUARE ROOF PANEL THEN INSTALL METAL SHEETING WITH SUPPLIED HARDWARE AS SHOWN. ENSURE THAT SCREWS ARE CENTERED ON THE SHEATHING BOARDS.

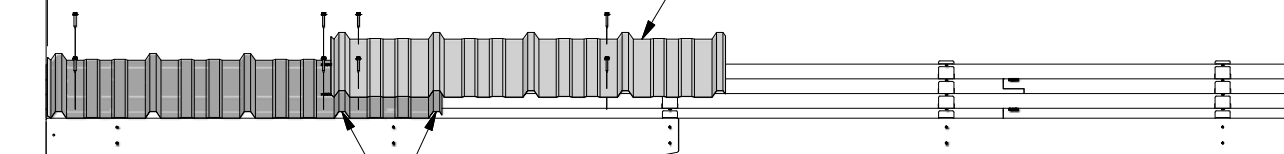


ASSEMBLY TIP:
AFTER MARKING SCREW LOCATIONS, IT IS HELPFUL TO DIMPLE OR PIERCE THE METAL FOR EASIER INSTALLATION OF THE SCREWS.



1/8" [3 mm]
HOLD SHEETING INSIDE OF FRAME.

ASSEMBLY NOTE:
SCREWS SHOULD HIT THE BOTTOM OF THE RIBS. IN THE APPROXIMATE LOCATIONS SHOWN.



SHEETING WILL OVERLAP 1 COMPLETE RIB.



Phase 2

STEP 2

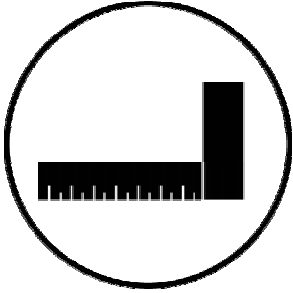


H100760 | WOOD GRIP SCREW
(48) | 10x1 1/4

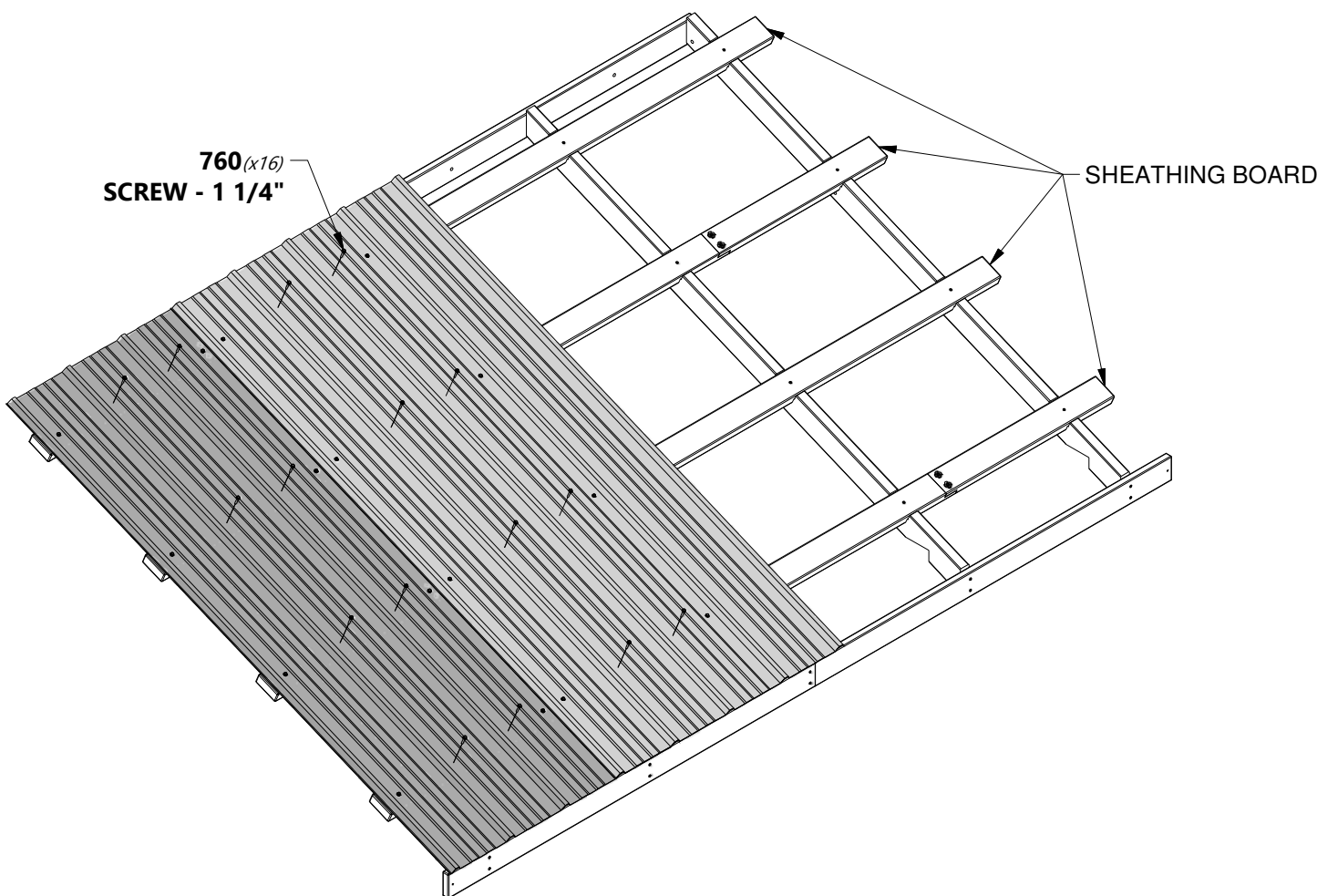
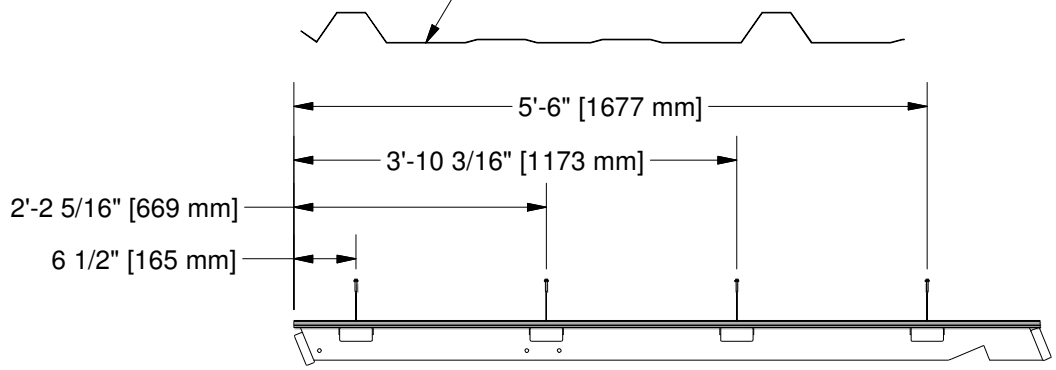
COMPLETE THIS STEP TWICE

SQUARE ROOF PANEL THEN INSTALL METAL SHEETING WITH SUPPLIED HARDWARE AS SHOWN.

TO ENSURE THAT SCREWS ARE CENTERED ON THE SHEATHING BOARDS USE THE DIMENSIONS BELOW TO MARK LOCATIONS.



ASSEMBLY NOTE:
SCREWS SHOULD HIT THE BOTTOM OF THE RIBS. IN THE APPROXIMATE LOCATIONS SHOWN.





Phase 2



A4M00980 | 29 GA STEEL SHEETING
(x4)

STEP 3



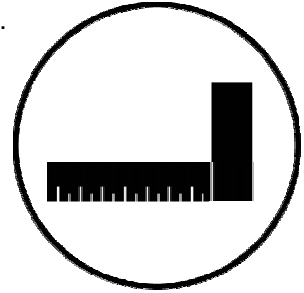
H100760 | WOOD GRIP SCREW
(72) | 10x1 1/4

SQUARE ROOF PANEL THEN INSTALL METAL SHEETING WITH SUPPLIED HARDWARE AS SHOWN. ENSURE THAT SCREWS ARE CENTERED ON THE SHEATHING BOARDS.

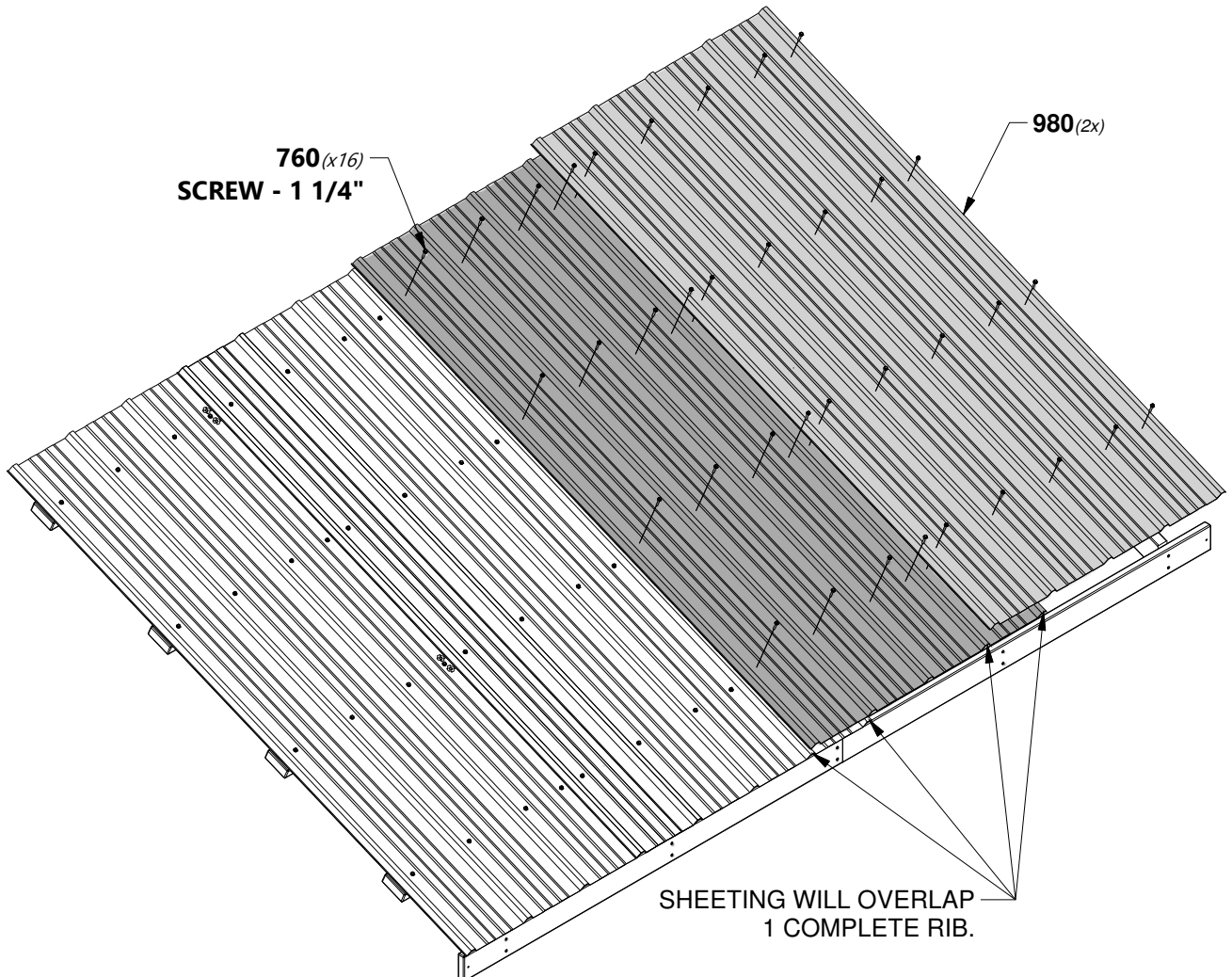
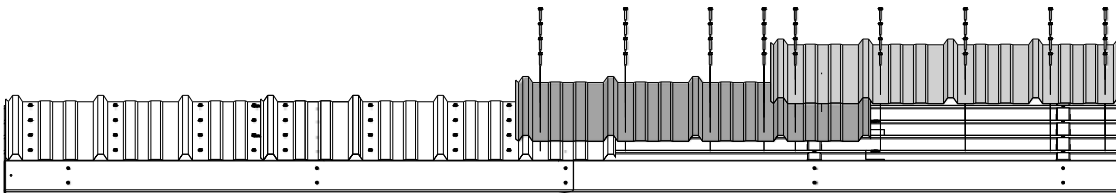


ASSEMBLY TIP:

AFTER MARKING SCREW LOCATIONS, IT IS HELPFUL TO DIMPLE OR PIERCE THE METAL FOR EASIER INSTALLATION OF THE SCREWS.



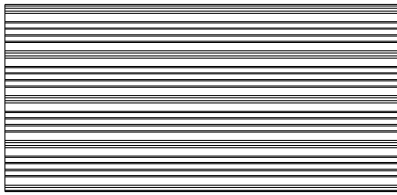
1/8" [3 mm] HOLD SHEETING TO INSIDE OF FRAME.





Phase 2

STEP 4



A4M00980 | 29 GA STEEL SHEETING
(x4)

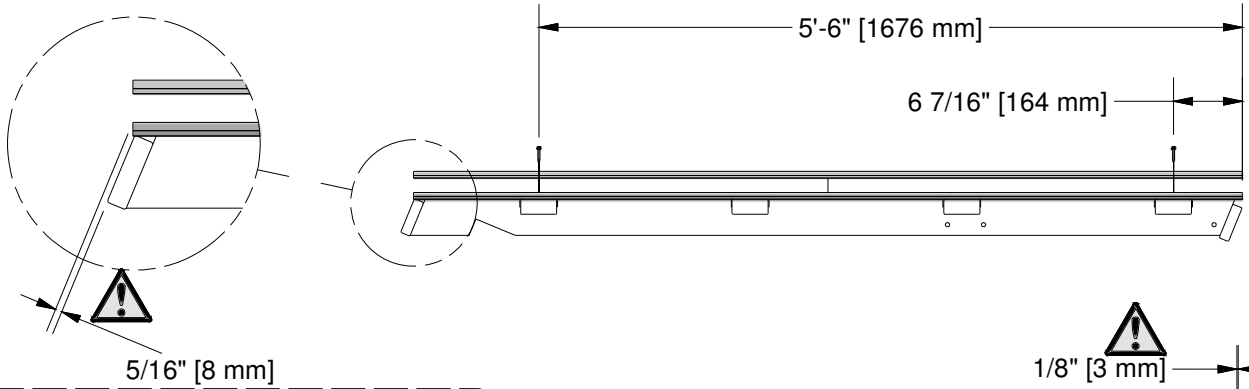


H100760 | WOOD GRIP SCREW
(16) | 10x1 1/4

COMPLETE THIS STEP TWICE

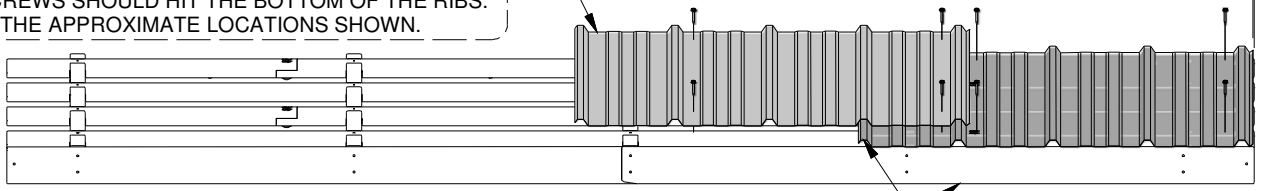
SQUARE ROOF PANEL THEN INSTALL METAL SHEETING WITH SUPPLIED HARDWARE AS SHOWN.

TO ENSURE THAT SCREWS ARE CENTERED ON THE SHEATHING BOARDS USE THE DIMENSIONS BELOW TO MARK LOCATIONS.

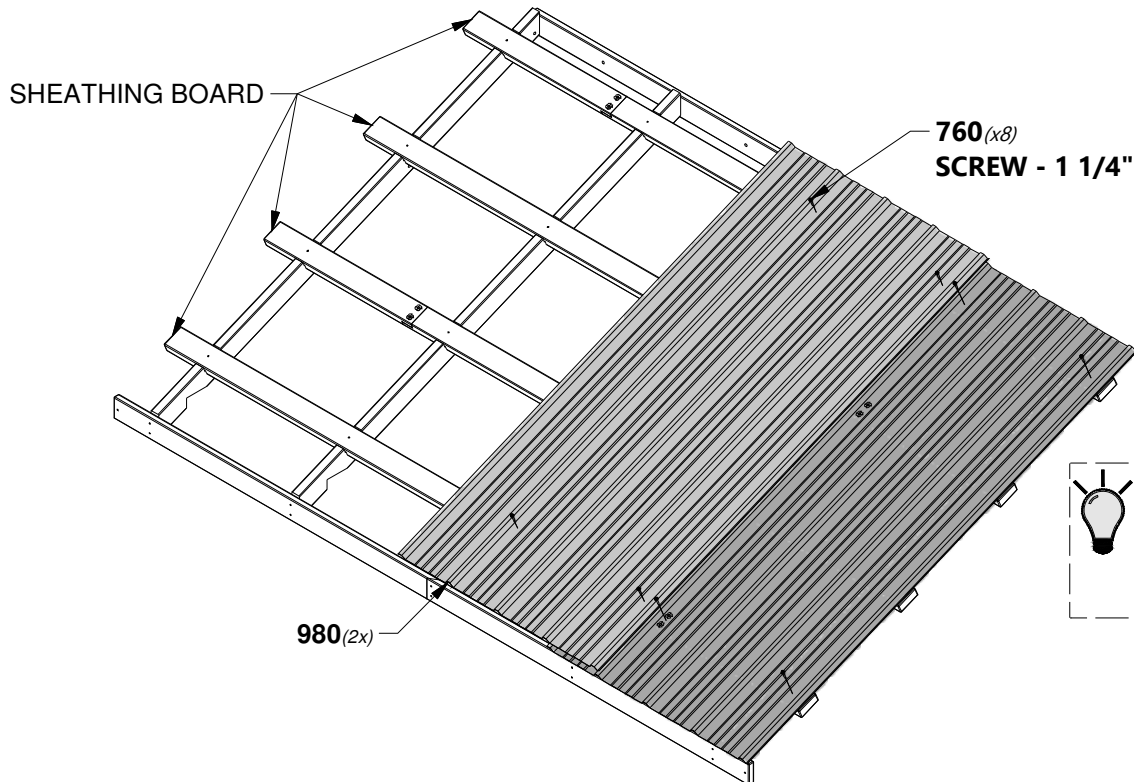


ASSEMBLY NOTE:
SCREWS SHOULD HIT THE BOTTOM OF THE RIBS. IN THE APPROXIMATE LOCATIONS SHOWN.

HOLD SHEETING INSIDE OF FRAME.



SHEETING WILL OVERLAP 1 COMPLETE RIB.



ASSEMBLY TIP:
AFTER MARKING SCREW LOCATIONS, IT IS HELPFUL TO DIMPLE OR PIERCE THE METAL FOR EASIER INSTALLATION OF THE SCREWS.



Phase 2

STEP 5



H100760 | WOOD GRIP SCREW
(48) | 10x1 1/4

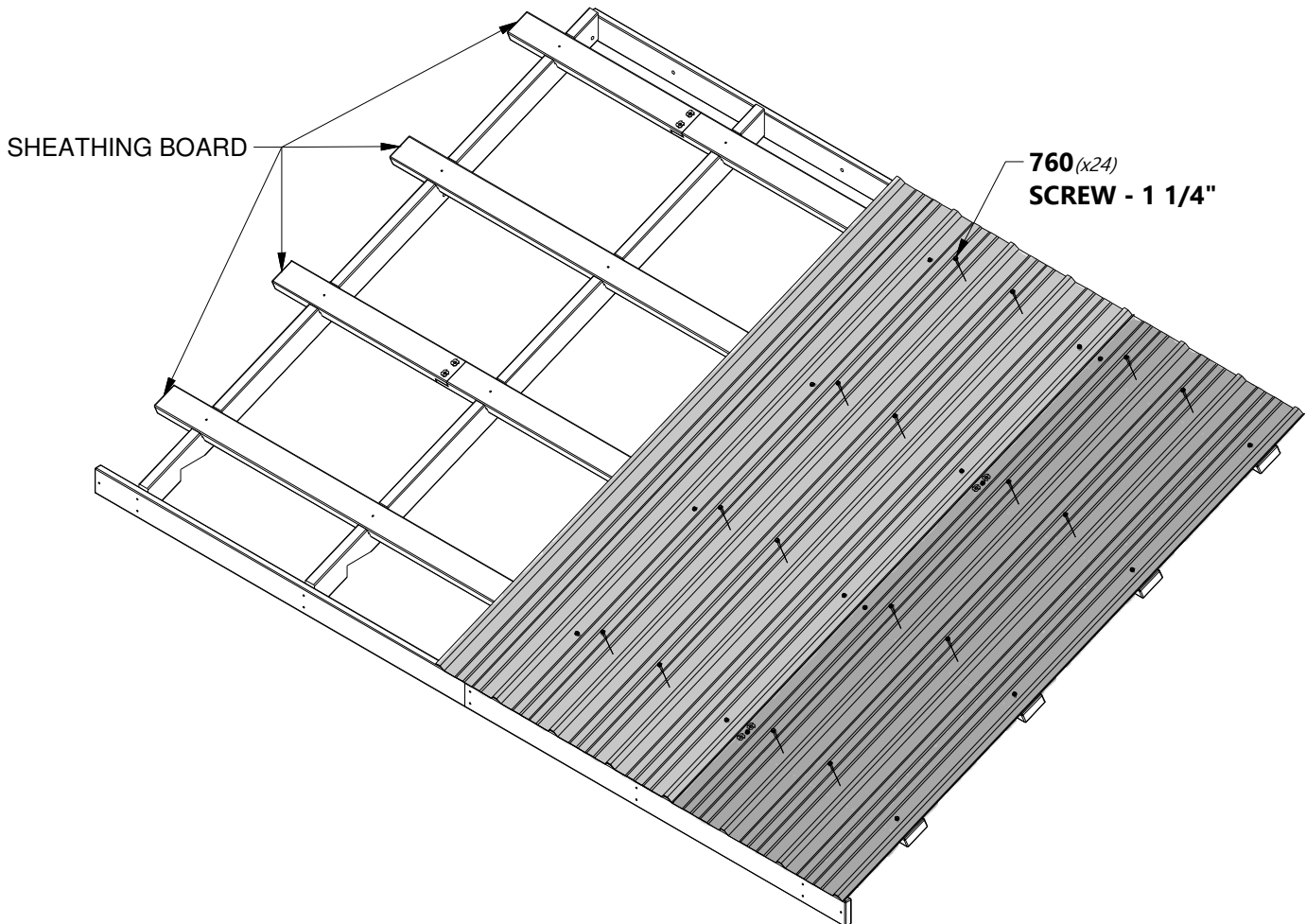
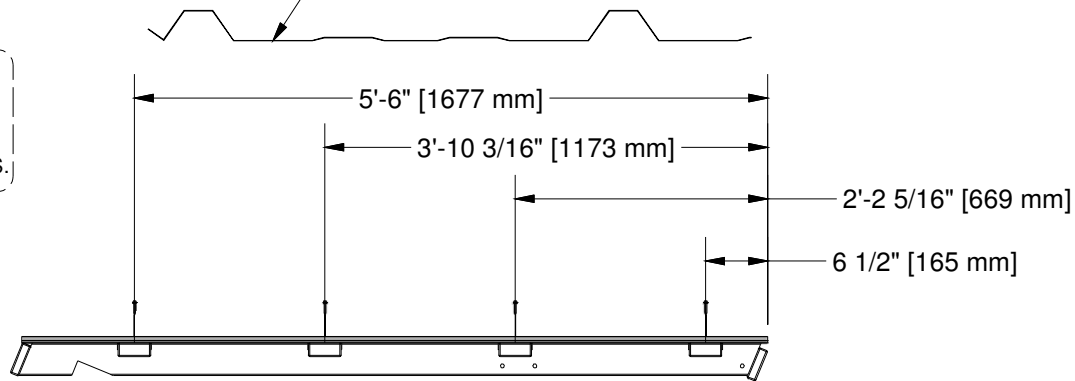
SQUARE ROOF PANEL THEN INSTALL METAL SHEETING WITH SUPPLIED HARDWARE AS SHOWN.

TO ENSURE THAT SCREWS ARE CENTERED ON THE SHEATHING BOARDS USE THE DIMENSIONS BELOW TO MARK LOCATIONS.

COMPLETE THIS STEP TWICE

ASSEMBLY NOTE:
SCREWS SHOULD HIT THE BOTTOM OF THE RIBS. IN THE APPROXIMATE LOCATIONS SHOWN.

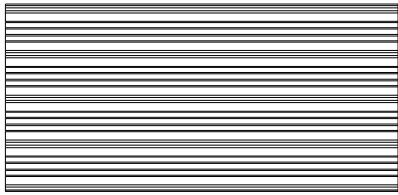
ASSEMBLY TIP:
AFTER MARKING SCREW LOCATIONS, IT IS HELPFUL TO DIMPLE OR PIERCE THE METAL FOR EASIER INSTALLATION OF THE SCREWS.





Phase 2

STEP 6



A4M00980 | 29 GA STEEL SHEETING
(x4)



H100760 | WOOD GRIP SCREW
(72) | 10x1 1/4



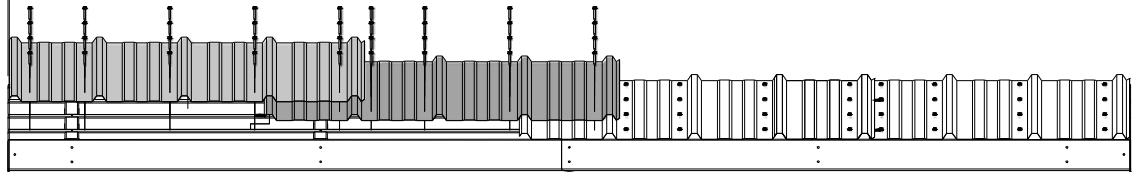
ASSEMBLY NOTE:

SQUARE ROOF PANEL THEN INSTALL METAL SHEETING WITH SUPPLIED HARDWARE AS SHOWN. ENSURE THAT SCREWS ARE CENTERED ON THE SHEATHING BOARDS.

COMPLETE THIS STEP TWICE

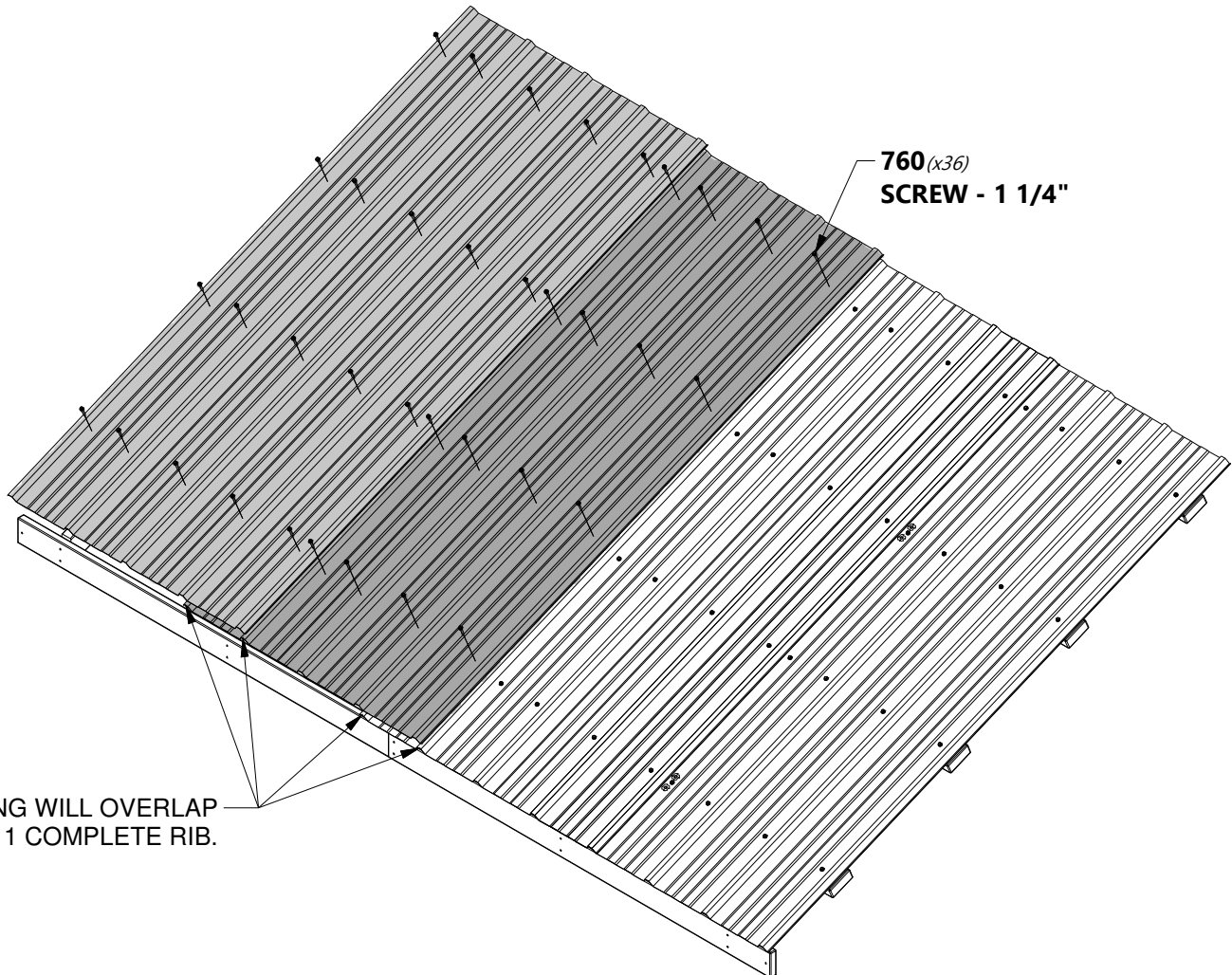


1/8" [3 mm]
HOLD SHEETING TO INSIDE OF FRAME.



ASSEMBLY TIP:

AFTER MARKING SCREW LOCATIONS, IT IS HELPFUL TO DIMPLE OR PIERCE THE METAL FOR EASIER INSTALLATION OF THE SCREWS.



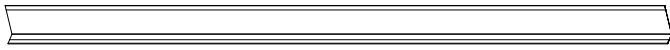
760 (x36)
SCREW - 1 1/4"

SHEETING WILL OVERLAP
1 COMPLETE RIB.



Phase 2

STEP 7



A4M00982 | ROOF EDGE TRIM
(x4)

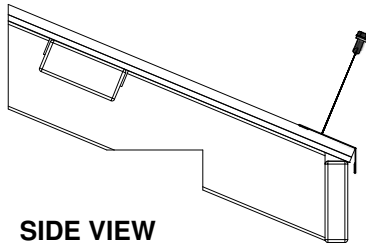


A4M00983 | ROOF EDGE TRIM SPLICE
(x2)

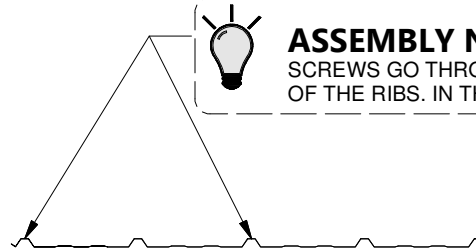


H100759 | SCREW TAPPING
(16) | 1/4x3/4

COMPLETE THIS STEP TWICE



SIDE VIEW



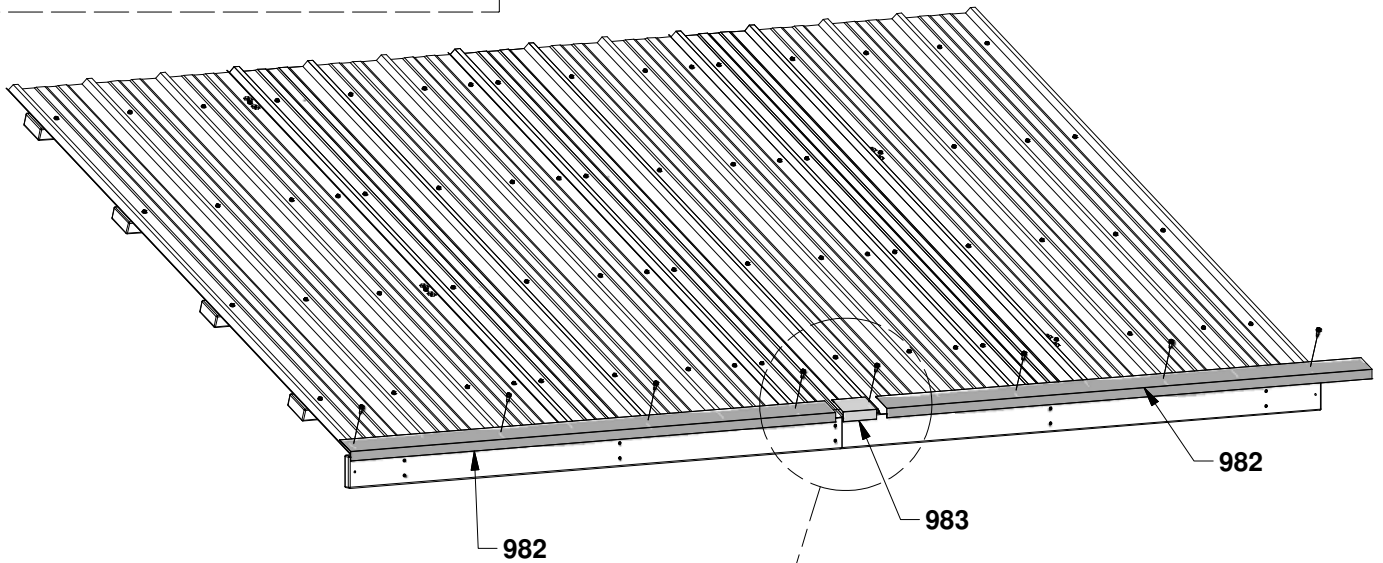
ASSEMBLY NOTE:

SCREWS GO THROUGH EDGE TRIM AND THEN THE TOP OF THE RIBS. IN THE APPROXIMATE LOCATIONS SHOWN.



ASSEMBLY TIP:

DUE TO MULTIPLE LAYERS OF METAL ON THE EDGE TRIM, IT IS RECOMMENDED THAT A 1/8" DRILL BIT IS USED TO CREATE STARTER HOLES.

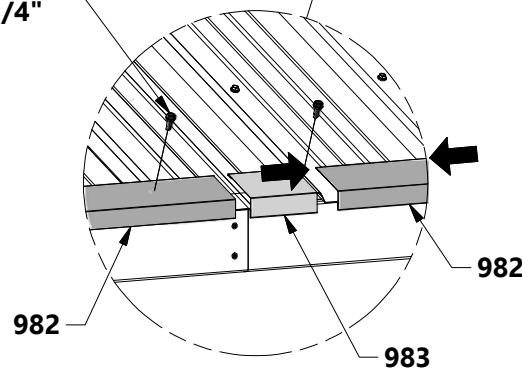


759 (x8)
SCREW - 3/4"



ASSEMBLY NOTE:

SLIP EDGE TRIM INTO SPLICE. ENSURE THAT BOTH ENDS ARE FLUSH WITH EDGE OF ROOF PANELS.





Phase 2

STEP 8



H100765 | BOLT WH BLK
(18) | 5/16x8



H100193 | NUT BARREL WH BLK
(x4) | 5/16x1-1/2



H100199 | WASHER LOCK EXT BLK
(x4) | 12x19



H100391 | SCREW PFH BLK
(x4) | 8x2



ASSEMBLY NOTE:

WITH AT LEAST TWO PEOPLE LIFT ASSEMBLED ROOF PANEL AND SLIDE IT INTO THE TRACKS ON THE RAFTERS.

ONCE IN PLACE, INSTALL ATTACHMENT HARDWARE.



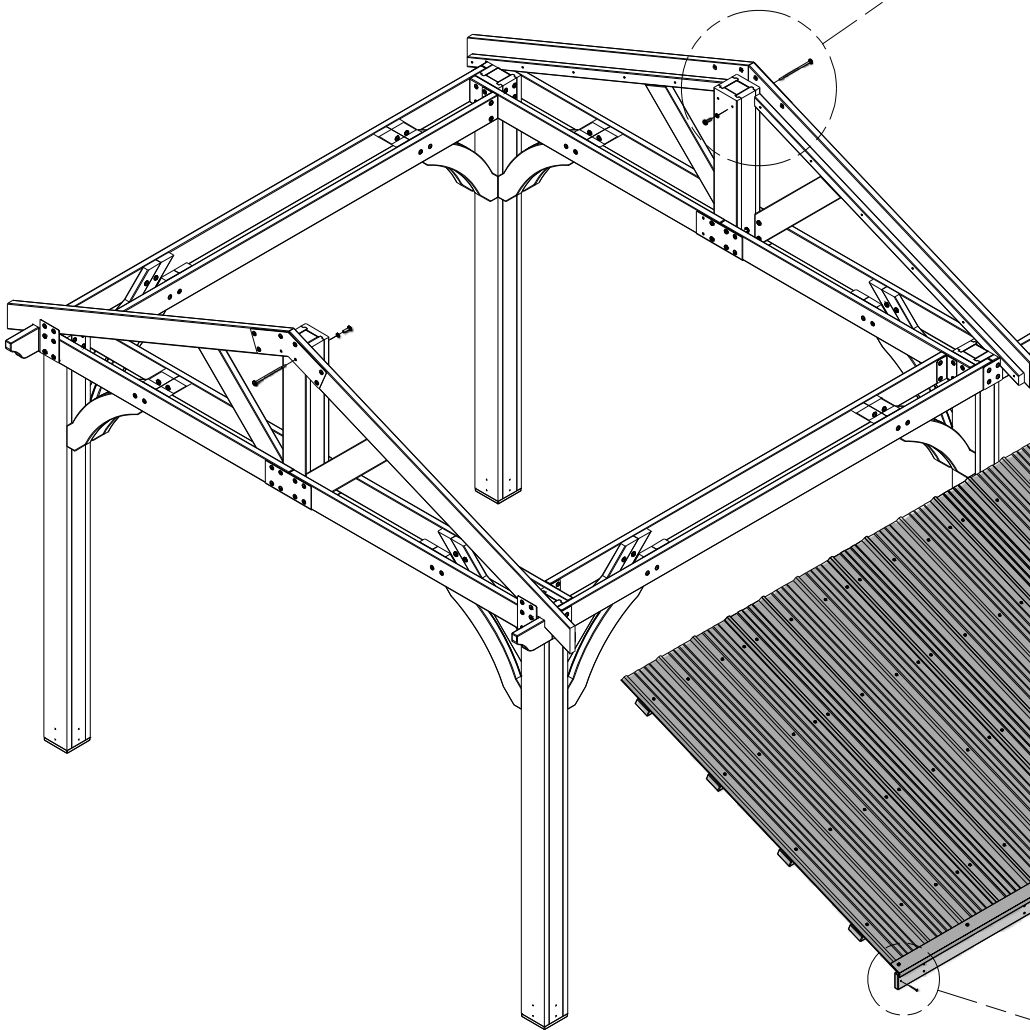
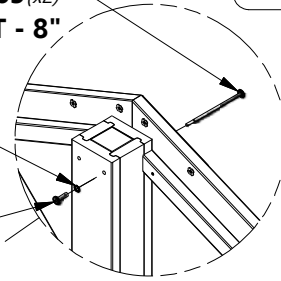
TWO PERSON LIFT

COMPLETE THIS STEP TWICE

765 (x2)
BOLT - 8"

199 (x2)
WASHER - 12x19

193 (x2)
NUT BARREL - 1 1/2"

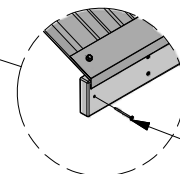


SLIDE ROOF PANEL UPWARD. THEN INSTALL HARDWARE.



ASSEMBLY TIP:

A THIRD PERSON IS HELPFUL TO ATTACH ROOF ONCE IT IS IN PLACE.



391 (x2)
SCREW - 2"

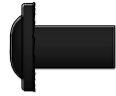


Phase 2

STEP 9



H100407 | BOLT WH BLK
(x4) | 5/16x1 1/2



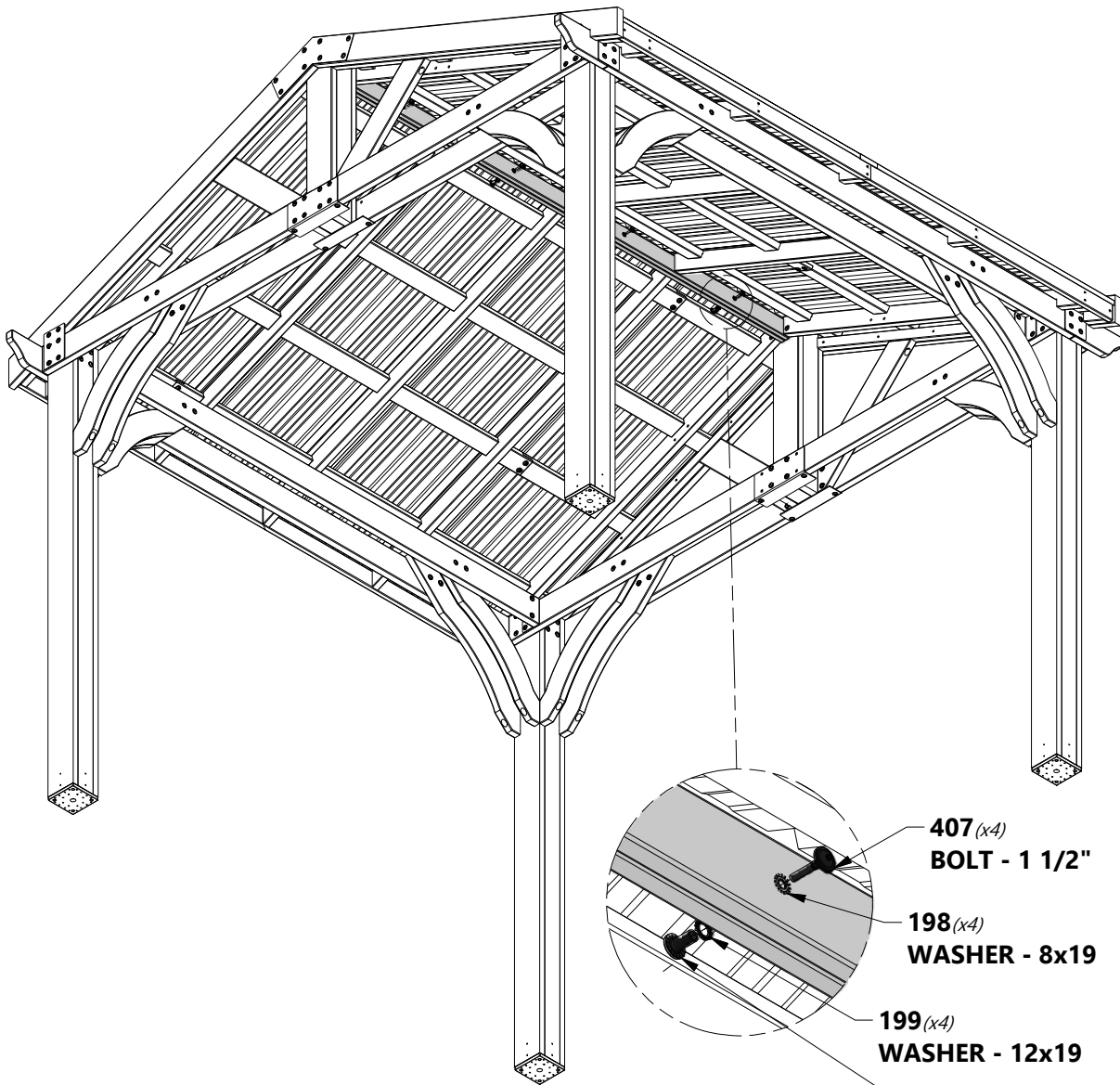
H100192 | NUT BARREL WH BLK
(x4) | 5/16x7/8



H100198 | WASHER LOCK EXT BLK
(x4) | 8x19



H100199 | WASHER LOCK EXT BLK
(x4) | 12x19



407 (x4)
BOLT - 1 1/2"

198 (x4)
WASHER - 8x19

199 (x4)
WASHER - 12x19

192 (x4)
NUT BARREL - 7/8"



Phase 2

STEP 10



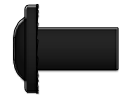
D7 | ANGLE BRACE - W4L11748
(4) | 1 3/8"x5 1/4"x32 3/8" (36x134x823)



H100194 | BOLT WH BLK
(x8) | 2-1/2



H100205 | BOLT WH BLK
(x8) | 5/16x2-1/4



H100192 | NUT BARREL WH BLK
(x16) | 5/16x7/8

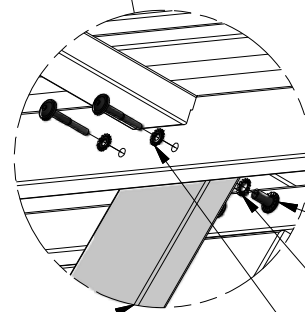
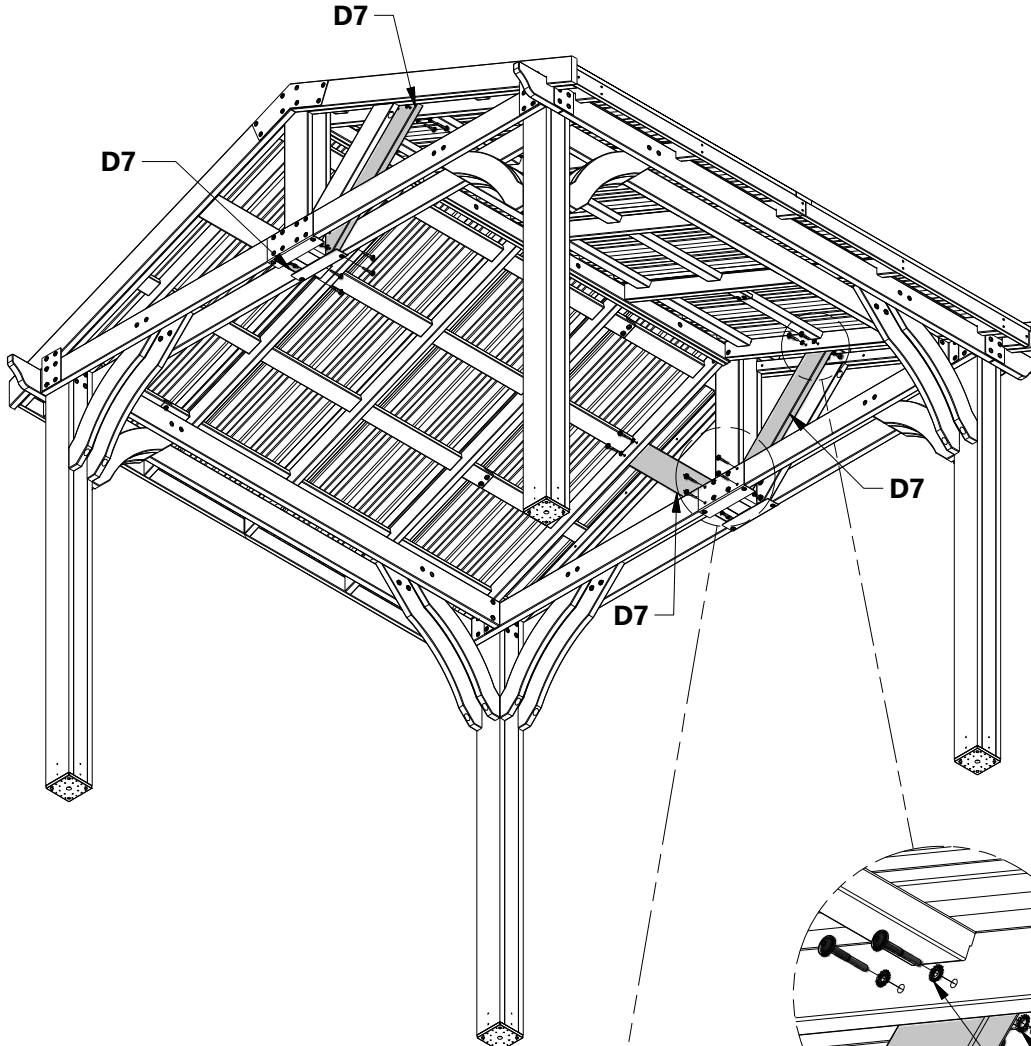


H100199 | WASHER LOCK EXT BLK
(x16) | 12x19



H100198 | WASHER LOCK EXT BLK
(x8) | 8x19

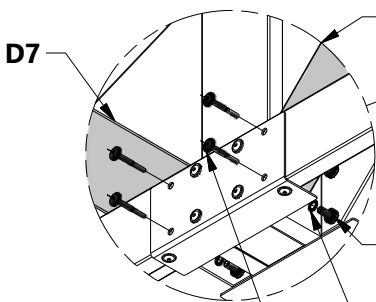
COMPLETE BOTH ENDS



192 (x4)
NUT BARREL - 7/8"

199 (x4)
WASHER - 12x19

198 (x4)
WASHER - 8x19



192 (x4)
NUT BARREL - 7/8"

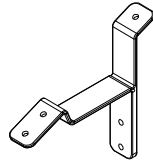
199 (x4)
WASHER - 12x19

194 (x4)
BOLT - 2 1/2"



Phase 2

STEP 11



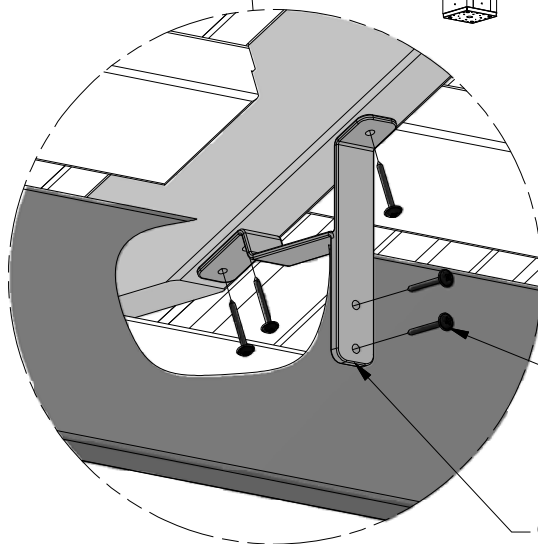
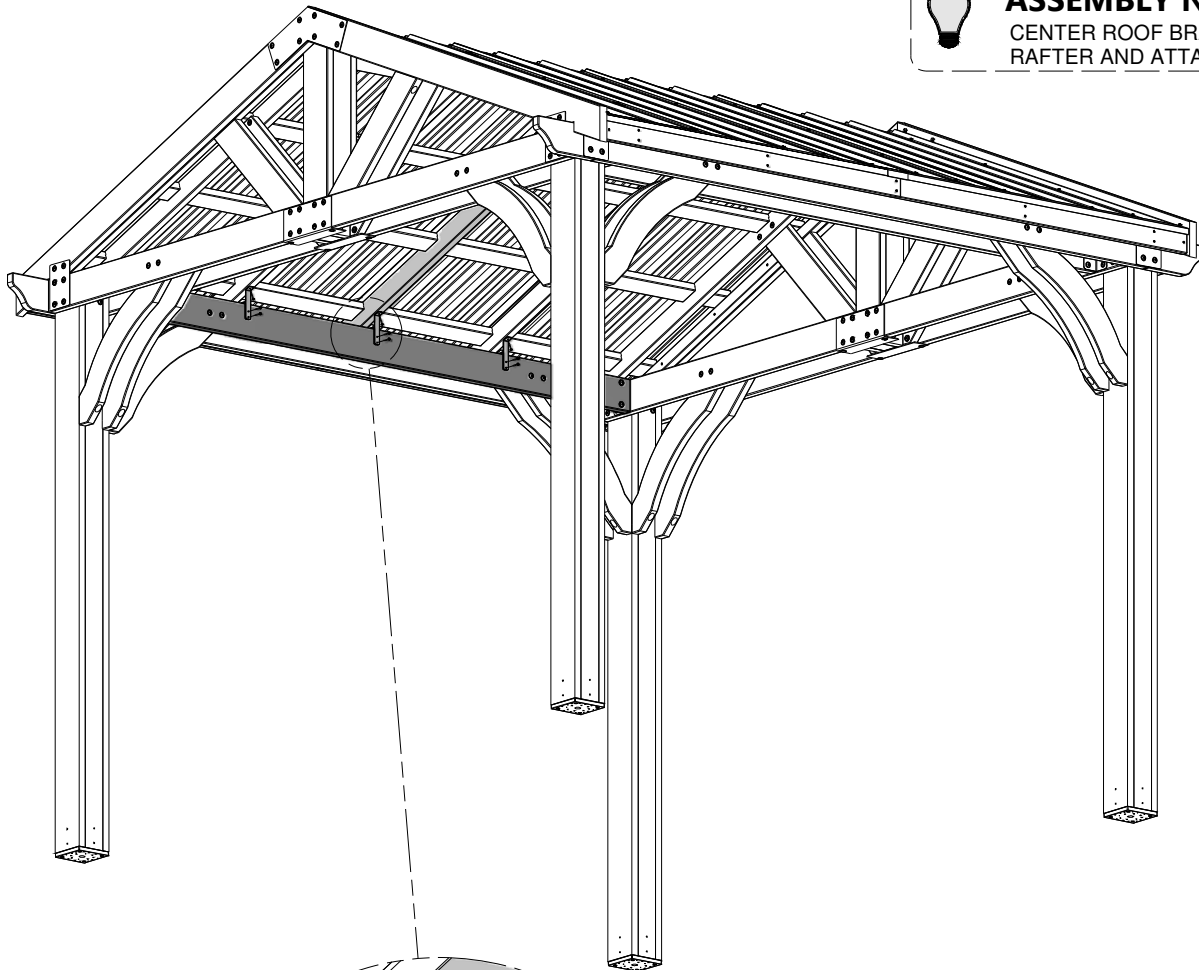
A4M00961
(x6) | ROOF BRACKET



H100536 | SCREW PWH BLK
(x30) | 8x1 1/4



ASSEMBLY NOTE:
CENTER ROOF BRACKETS ON EACH
RAFTER AND ATTACH.



536 *(x30)*
SCREW - 1/4"

961 *(x6)*
ROOF BRACKET



Phase 2

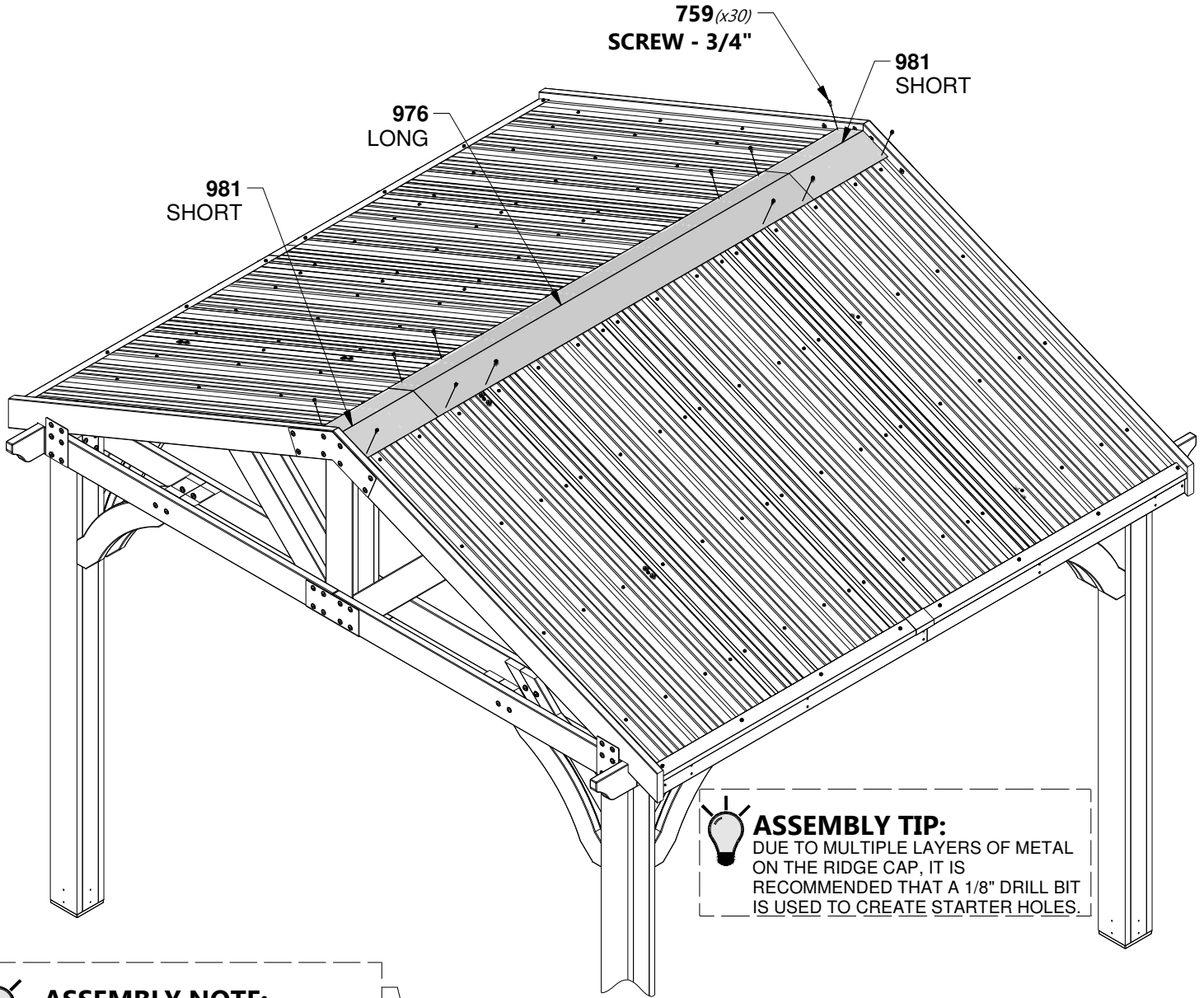
STEP 12





H100759 | SCREW TAPPING
(12) | 1/4x3/4

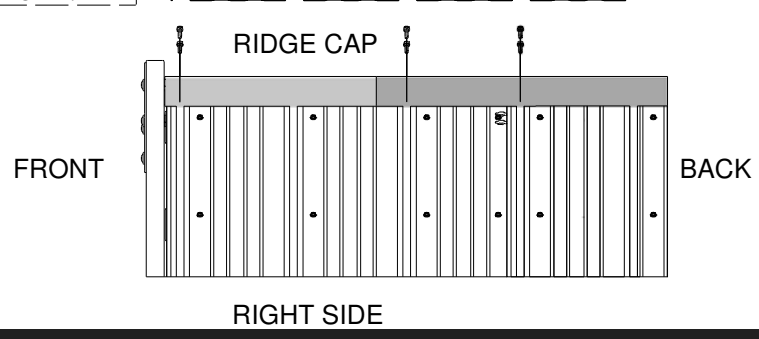
A4M00976 | 6 X 6 HIP/RIDGE CAP 29 GA
(x1)

A4M00981 | 6 X 6 HIP/RIDGE CAP 29 GA
(x2)



ASSEMBLY TIP:

 DUE TO MULTIPLE LAYERS OF METAL ON THE RIDGE CAP, IT IS RECOMMENDED THAT A 1/8" DRILL BIT IS USED TO CREATE STARTER HOLES.

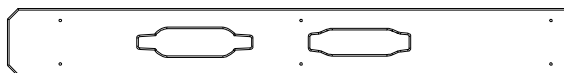
ASSEMBLY NOTE:

 SCREWS GO THROUGH RIDGE CAP AND INTO THE TOP OF THE RIBS IN THE APPROXIMATE LOCATIONS SHOWN.





Phase 3

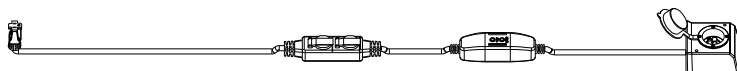
STEP 1



G5 | CORD COVER - W4L11749
(1) | 1"x5 1/4"x43 5/8" (24x134x1109)



J8 | CORD COVER - W4L11750
(1) | 1"x2 3/8"x7 7/8" (24x60x201)



A6P00265 | ELECTRICAL OUTLET KIT - PATENT PENDING
(1)



H100201 | SCREW PFH BLK
(x2) | 8x2-1/2

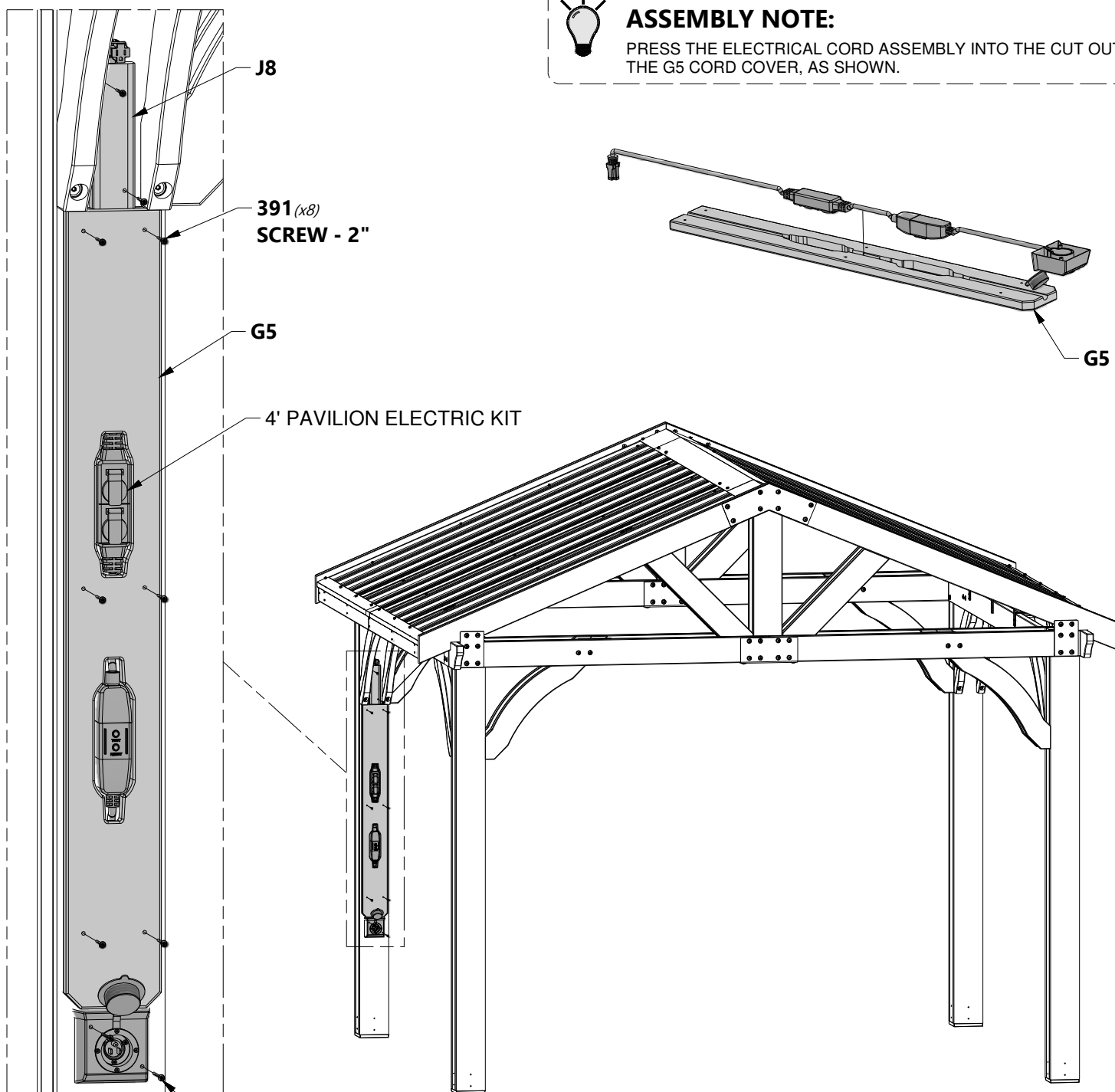


H100391 | SCREW PFH BLK
(x8) | 8x2



ASSEMBLY NOTE:

PRESS THE ELECTRICAL CORD ASSEMBLY INTO THE CUT OUTS ON THE G5 CORD COVER, AS SHOWN.

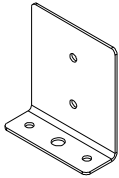


201 (x2)
SCREW - 2 1/2"

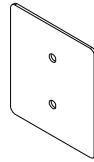


Phase 3

STEP 2



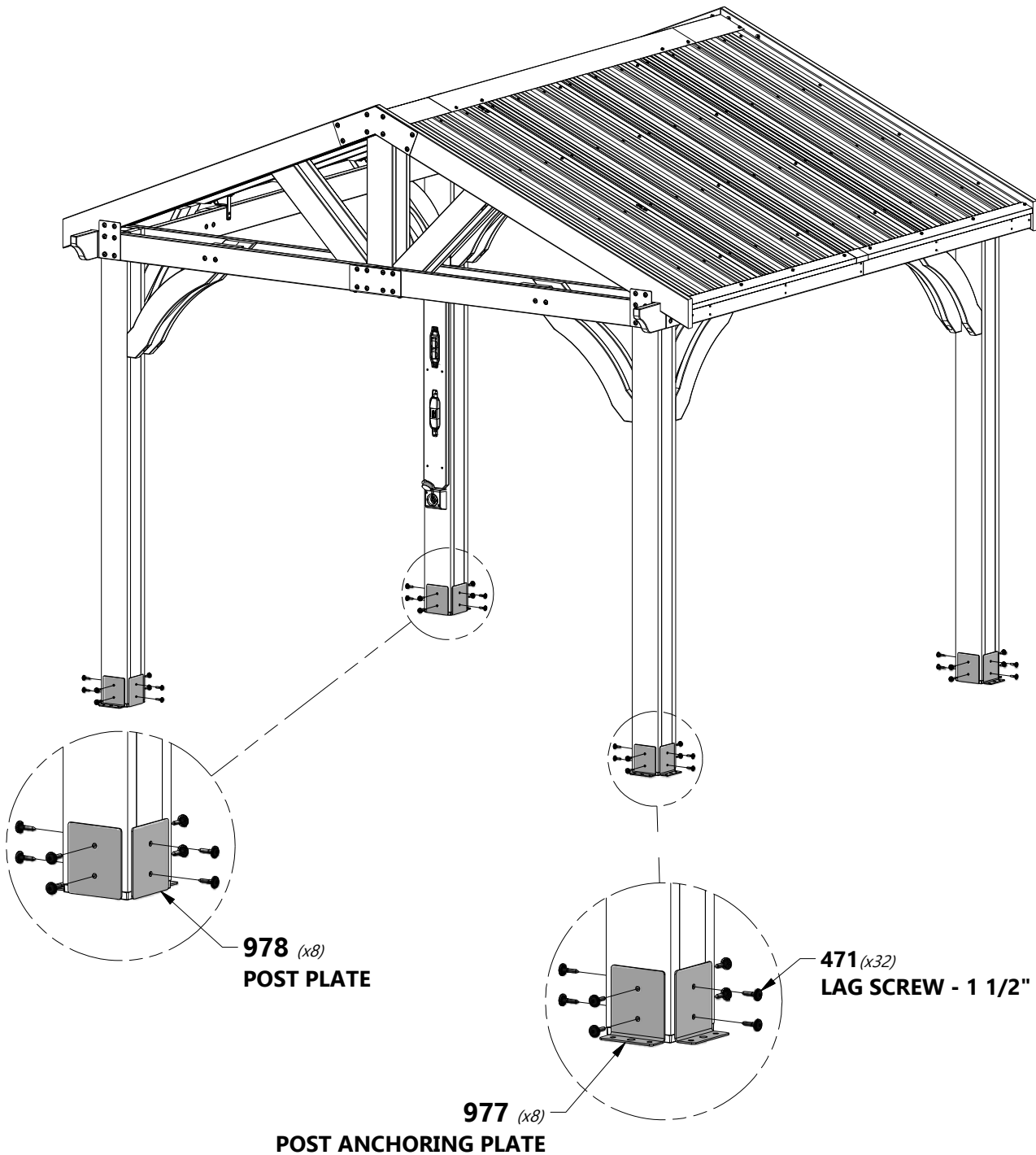
A4M00977 | POST ANCHORING PLATE
(x8)



A4M00978 | POST PLATE
(x8)



H100471 | LAG SCREW WH BLK
(x32) 5/16x1 1/2



978 *(x8)*
POST PLATE

471 *(x32)*
LAG SCREW - 1 1/2"

977 *(x8)*
POST ANCHORING PLATE



Phase 3



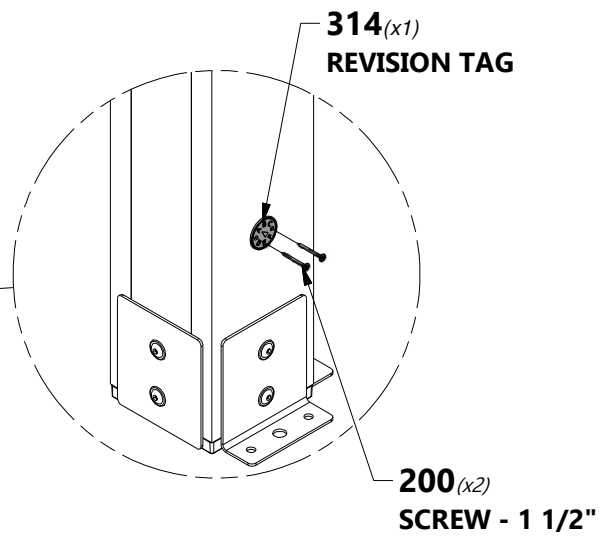
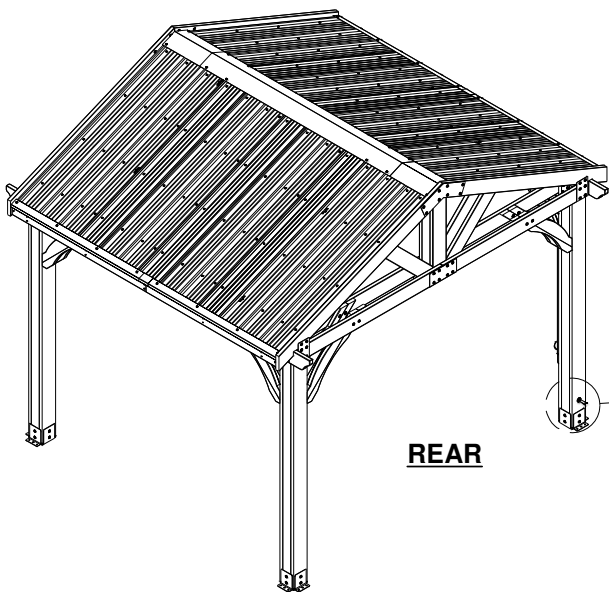
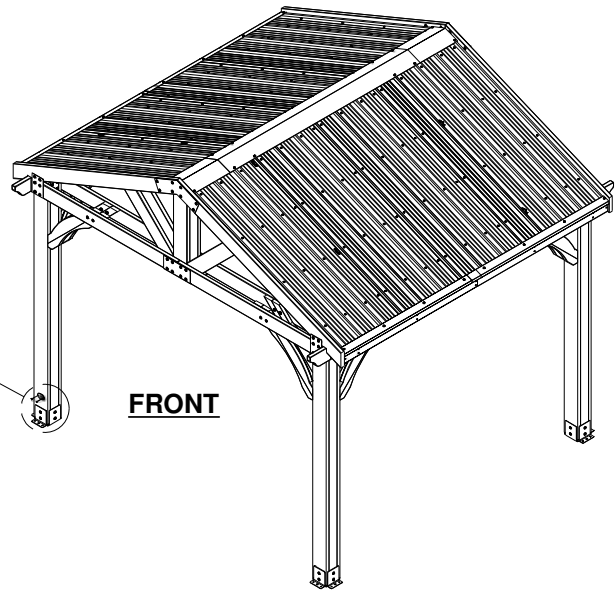
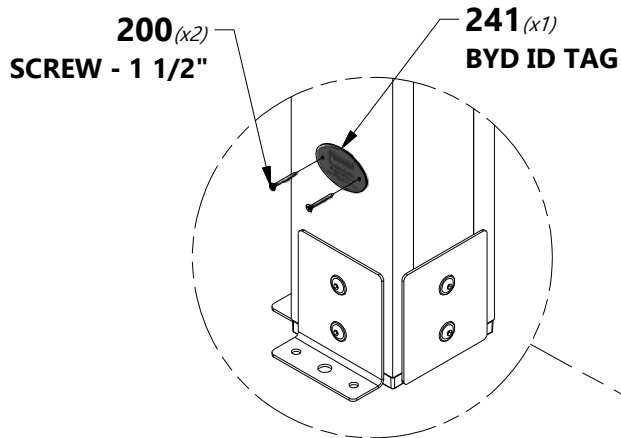
STEP 3



A100241 | BYD ID TAG (SMALL) WITHOUT AGES
(x1)

A100314 | "A" REVISION TAG
(x1)

H100200 | SCREW PFH BLK
(x4) 8x1 1/2





Phase 3

STEP 4



H100120 | SCREW CONCRETE ANCHOR
(x16) | 1/4x2



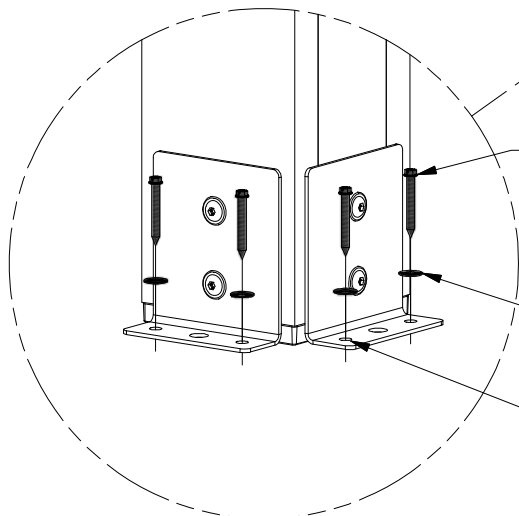
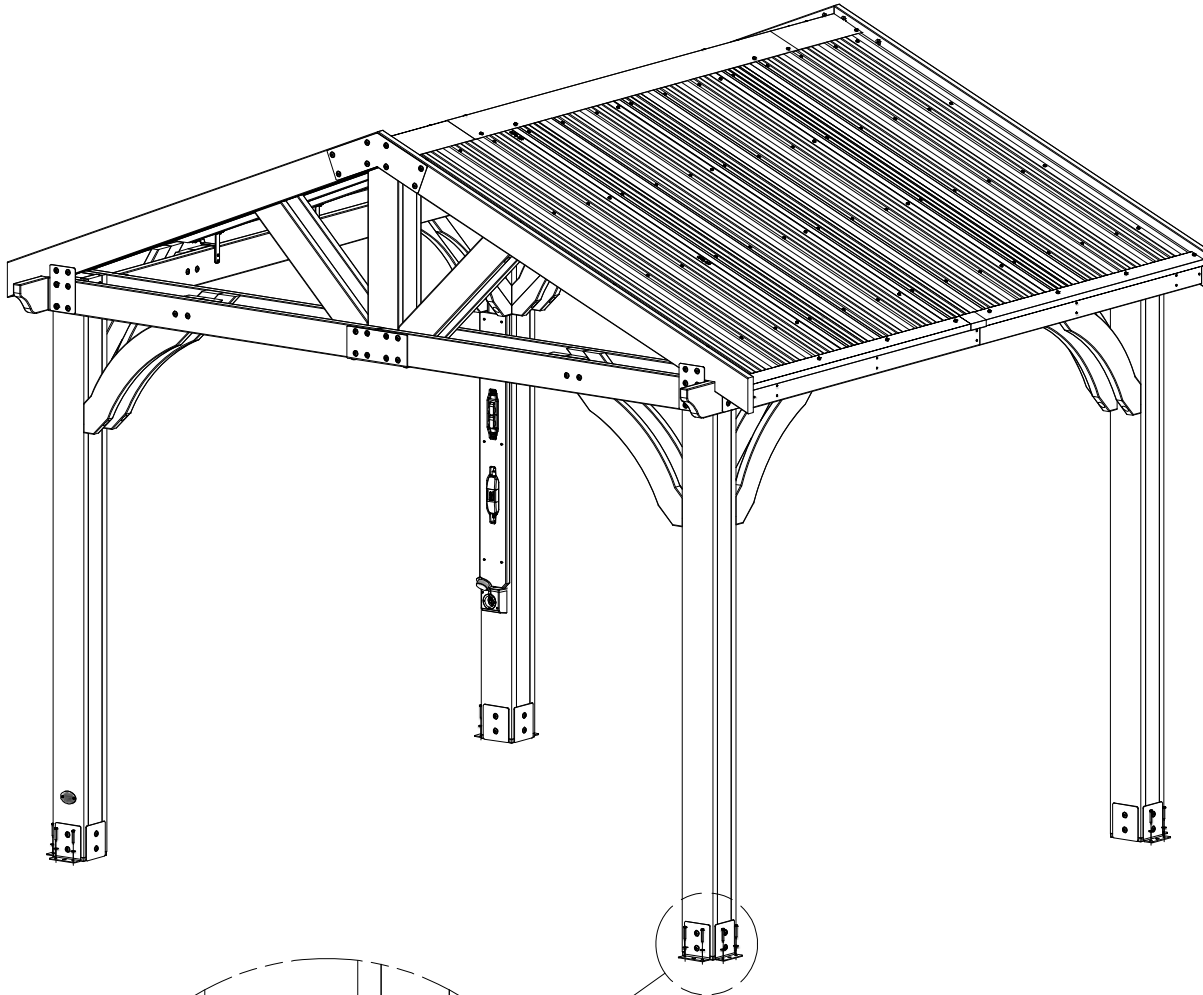
H100630 | WASHER FLAT BLK
(x16) | 8x19



ASSEMBLY NOTE:

MANUFACTURER RECOMMENDS INSTALLATION ON CONCRETE SURFACE OR CONCRETE POST PADS. SEE BELOW.

FOR INSTALLATION ON WOOD DECK, YOU MUST ENSURE THERE IS AMPLE STRUCTURAL SUPPORT UNDER DECK.



120 (x16)
SCREW - 2"

630 (x16)
WASHER - 8x19



ASSEMBLY NOTE:

PRE-DRILL HOLES FOR CONCRETE ANCHORS USING A 3/16" CONCRETE DRILL BIT.